



# YAMAHA

## PARTS LIST

MODEL **RD250** ('75)  
(TYPE 522)

MODEL **RD350** ('75)  
(TYPE 521)

**FOR EUROPE**

**YAMAHA MOTOR CO., LTD.**

# **YAMAHA**

## **PARTS LIST**

**MODEL RD250 ('75)**

**(TYPE 522)**

**MODEL RD350 ('75)**

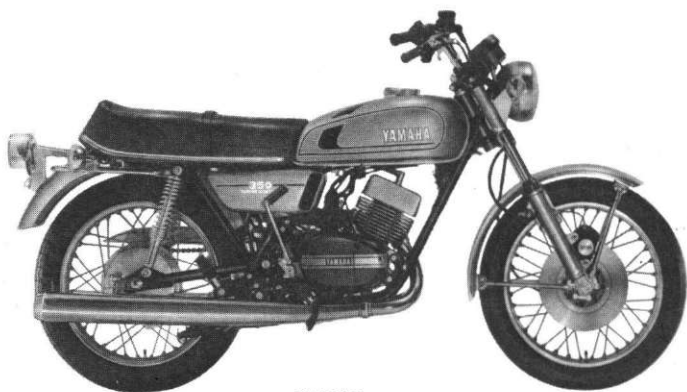
**(TYPE 521)**

**FOR EUROPE**





RD250



RD350

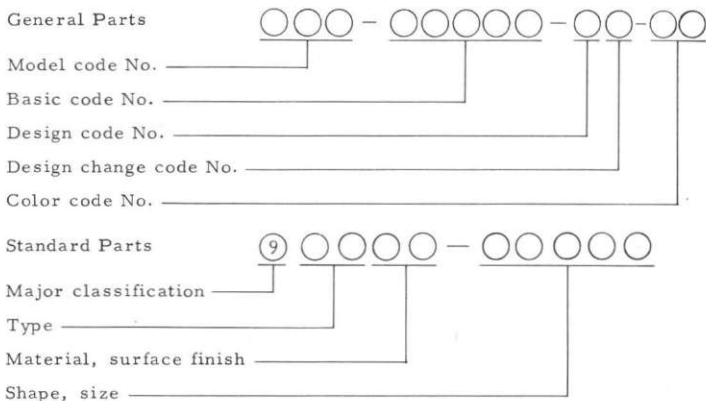


## FOREWORD

This Parts List relates to the Parts in use for the YAMAHA SPORTS RD250, RD350. When you ordering replacement parts for RD250, RD350, refer to this Parts List and quote both parts numbers and part names correctly.

### 1. Structure of Part No.

Yamaha parts are divided largely into two categories; general parts and standard parts, and each part No. has the following structure:



Note: Every standard No. begins with 9.

### 2. How to Use this Parts List

- (1) Except for steel balls (whose size is indicated in inches), the size of all parts is indicated in millimeters in the following manner.

Pipe (rubber or vinyl) . . . . Inside diameter - length

O-ring . . . . . Section area - inside diameter

Washer, shim, collar . . . . Inside diameter - outside diameter - thickness (length)

- (2) Parts, which are to be supplied in the form of assemblies, are listed with an indention of one letter's space, and a dot (.) is put

against the name of each part. If any two different assemblies (e.g., right and left side components) consist of almost the same type components, these two assemblies are listed in two lines, and then the names of component parts are listed in the subsequent lines with an indentation as mentioned earlier. The quantity of parts is given in the following manner; that is, in the case of parts being the same in type between the right and left, a total quantity of parts is given. On the other hand, if the right and left side parts are different in type, the quantity of part(s) on each side is given.

Example

Description	Q'ty
CARBURETOR ASS'Y, left	1
CARBURETOR ASS'Y, right	1
. JET, pilot	2
. NOZZLE, main	2
:	
:	
:	
:	
. LEVER, starter, left	1
. LEVER, starter, right	1

(3) Key to Symbols

U. R. ....	Use size (thickness) and/or number as required
T .....	Number of teeth in a gear
V .....	Voltage for light bulbs
S .....	"S" type oil seal or "S" type circlip
SD .....	"SD" type oil seal
SO .....	"SO" type oil seal
SW .....	"SW" type oil seal
E .....	"E" type circlip
R .....	"R" type circlip
F/No. ....	Frame No. (Applicable machine No.)

- (4) The right and left in relation to parts are determined on the basis of the rider facing toward the front.
- (5) This Parts List is based on the model in the production line on Sept., 27, 1974. Accordingly, if any modifications which have been made to parts will be announced in the Yamaha Parts News. It is advisable that according to the Yamaha Parts News, You will make necessary corrections to the Parts List on hand to keep it up-to dated.





# CONTENTS

## ENGINE

Fig. 1	Cylinder Head · Cylinder .....	1
Fig. 2	Crankcase .....	3
Fig. 3	Crankcase Cover .....	5
Fig. 4	Crank · Piston .....	7
Fig. 5	Clutch .....	13
Fig. 6	Transmission .....	17
Fig. 7	Shifter 1 .....	21
Fig. 8	Shifter 2 .....	25
Fig. 9	Kick Starter .....	27
Fig. 10	Tachometer Gear .....	29
Fig. 11	Intake .....	31
Fig. 12	Carburetor .....	33
Fig. 13	Exhaust .....	37
Fig. 14	Oil Pump .....	39
Fig. 15	A. C. Generator .....	43

## CHASSIS

Fig. 16	Frame .....	49
Fig. 17	Side Cover · Tool Box · Battery Box .....	53
Fig. 18	Rear Arm · Rear Cushion · Chain Case .....	55
Fig. 19	Stand · Footrest · Brake Pedal .....	57
Fig. 20	Front Fender · Rear Fender .....	61
Fig. 21	Front Fork .....	65
Fig. 22	Steering .....	69
Fig. 23	Handle · Wire .....	71
Fig. 24	Master Cylinder · Brake Hose .....	75
Fig. 25	Fuel Tank .....	79
Fig. 26	Oil Tank .....	83
Fig. 27	Seat .....	85

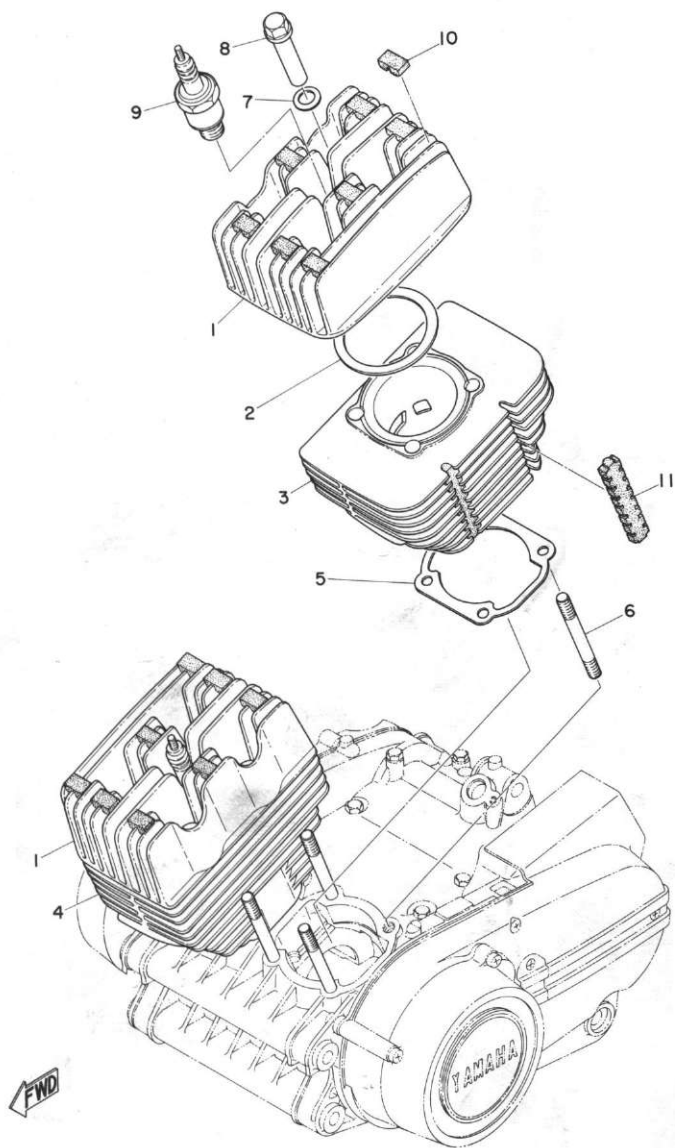
Fig. 28	Front Wheel .....	87
Fig. 29	Disk Brake · Caliper .....	91
Fig. 30	Rear Wheel .....	93
Fig. 31	Head Lamp 1 .....	99
Fig. 32	Head Lamp 2 .....	101
Fig. 33	Speedometer · Tachometer .....	103
Fig. 34	Tail Lamp 1 .....	105
Fig. 35	Tail Lamp 2 .....	109
Fig. 36	Flasher Lamp 1 .....	113
Fig. 37	Flasher Lamp 2 .....	115
Fig. 38	Electrical .....	117

## NUMERICAL INDEX

**ENGINE**



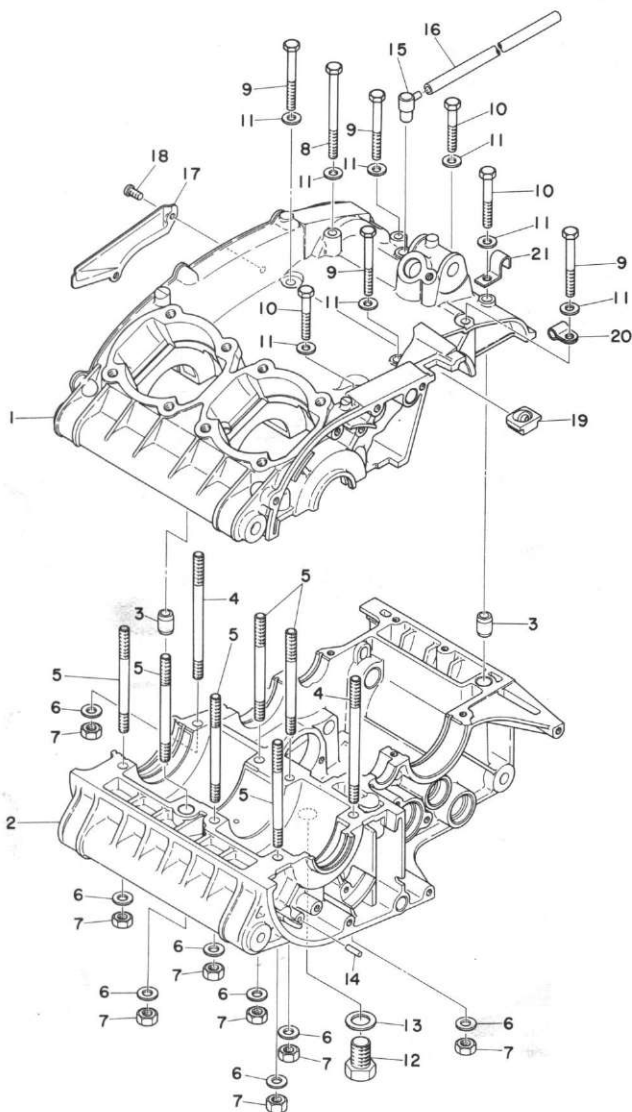
Fig. 1 CYLINDER HEAD · CYLINDER



## CYLINDER HEAD · CYLINDER

Ref. No.	Parts No.	Description	Q'ty		Applicable Machine No.	Remarks
			250	350		
1- 1	522-11111-00	HEAD, cylinder .....	2			
	521-11111-00	HEAD, cylinder .....		2		
1- 2	280-11181-01	GASKET, cylinder head .....	2			
	278-11181-01	GASKET, cylinder head .....		2		
1- 3	361-11311-00	CYLINDER, left .....	1			
	360-11311-00	CYLINDER, left .....		1		
1- 4	361-11321-00	CYLINDER, right .....	1			
	360-11321-00	CYLINDER, right .....		1		
1- 5	278-11351-01	GASKET, cylinder .....	2	2		
1- 6	90116-08065	BOLT, holding (276-11361-00) ..	8			
	90116-08064	BOLT, holding (248-11361-00) ..		8		
1- 7	90201-12362	WASHER, plate (278-11175-00) ..	8	8		
1- 8	90179-08026	NUT, holding (278-11171-00) ..	8	8		
1- 9	94701-00045	PLUG, spark (B-8ES) .....	2	2		
1-10	521-11161-00	ABSORBER 1 .....	16	16		
1-11	521-11162-00	ABSORBER 2 .....	4	4		

Fig. 2 CRANKCASE

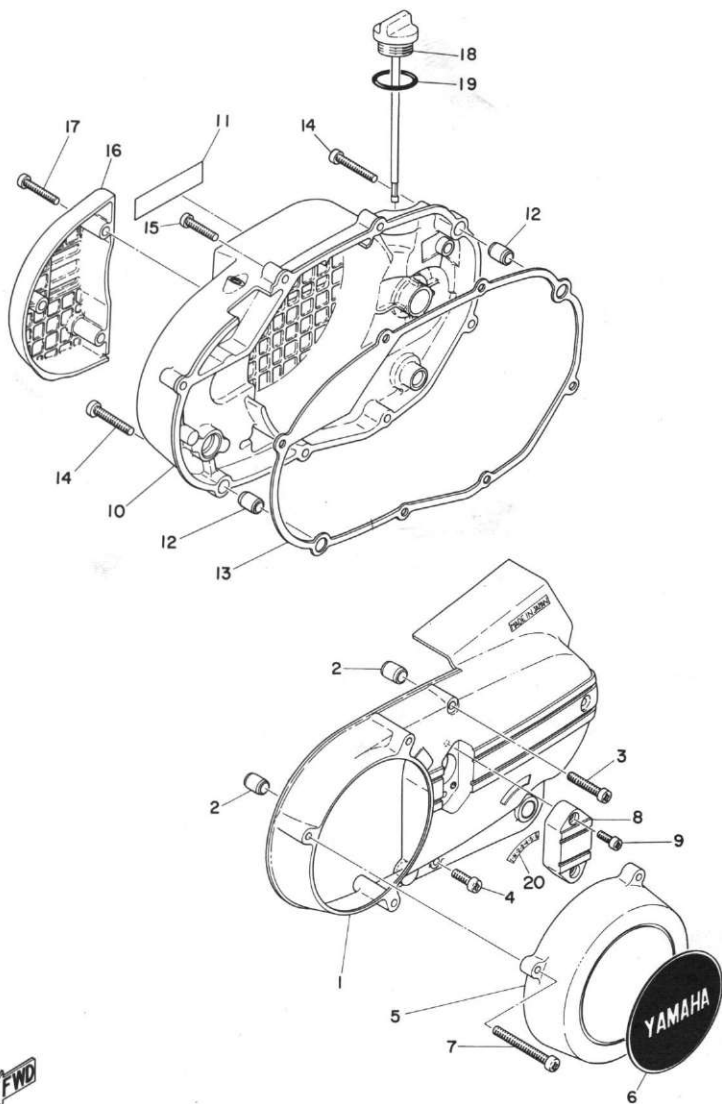


# CRANKCASE

Ref. No.	Parts No.	Description	Q'ty		Applicable Machine No.	Remarks
			250	350		
2- 0-1	278-15100-02	CRANKCASE ASS'Y	1	1		
2- 1	278-15111-02	. CASE, crank upper	1	1		Not for sale
2- 2	278-15121-02	. CASE, crank lower	1	1		Not for sale
2- 3	91810-05016	PIN, dowel (8.4-12-16)	2	2		
2- 4	90116-08197	BOLT, stud (256-15194-00)	2	2		
2- 5	90116-08064	BOLT, stud (248-11361-00)	6	6		
2- 6	92901-08200	WASHER, plain	8	8		
2- 7	95301-08600	NUT	8	8		
2- 8	91101-06090	BOLT	1	1		
2- 9	91101-06055	BOLT	4	4		
2-10	91101-06045	BOLT	3	3		
2-11	92901-06200	WASHER, plain	8	8		
2-12	90340-14010	PLUG, drain (214-15351-00)	1	1		
2-13	137-15353-00	GASKET, drain plug (14-21-15)	1	1		
2-14	93603-14026	PIN, dowel (3-14)	1	1		
2-15	120-15371-00	BREATHER	1	1		
2-16	90446-06008	PIPE (248-15373-00 5-150)	1	1		
2-17	278-15492-01	COVER	1	1		
2-18	98501-05010	SCREW, panhead	2	2		
2-19	278-15441-00	HOLDER, clutch wire	1	1		
2-20	90462-05012	CLAMP (164-82594-00)	1	1		
2-21	90462-05004	CLAMP (278-15485-00)	1	1		



Fig. 3 CRANKCASE COVER

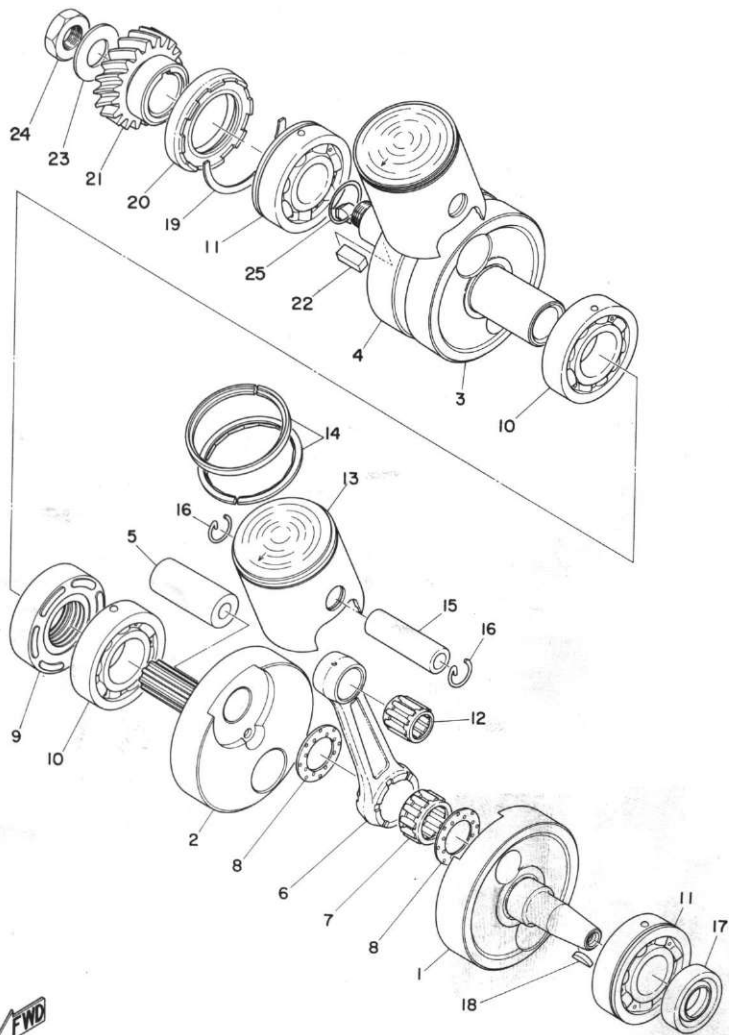


FWD

# CRANKCASE COVER

Ref. No.	Parts No.	Description	Q'ty		Applicable Machine No.	Remarks
			250	350		
3- 1	360-15411-01	COVER, crankcase left	1	1		
3- 2	91810-05016	PIN, dowel (8.4-12-16)	2	2		
3- 3	92506-06035	SCREW, panhead	2	2		
3- 4	92506-06020	SCREW, panhead	1	1		
3- 5	360-15415-01	COVER, generator	1	1		
3- 6	360-15425-01	COVER	1	1		
3- 7	92506-06060	SCREW, panhead	3	3		
3- 8	360-15417-00	COVER, cap	1	1		
3- 9	98506-05020	SCREW, panhead	2	2		
3-10	360-15421-01	COVER, crankcase right	1	1		
3-11	360-15435-00	EMBLEM	1	1		
3-12	91810-05016	PIN, dowel (8.4-12-16)	2	2		
3-13	278-15461-01	GASKET, crankcase cover right	1	1		
3-14	92506-06040	SCREW, panhead	2	2		
3-15	92506-06030	SCREW, panhead	6	6		
3-16	360-15416-01	COVER, oil pump	1	1		
3-17	92506-06035	SCREW, panhead	3	3		
3-18	360-15363-00	PLUG, oil	1	1		
3-19	93210-27194	O-RING (2.5-27)	1	1		
3-20	360-15191-00	LABEL	1	1		

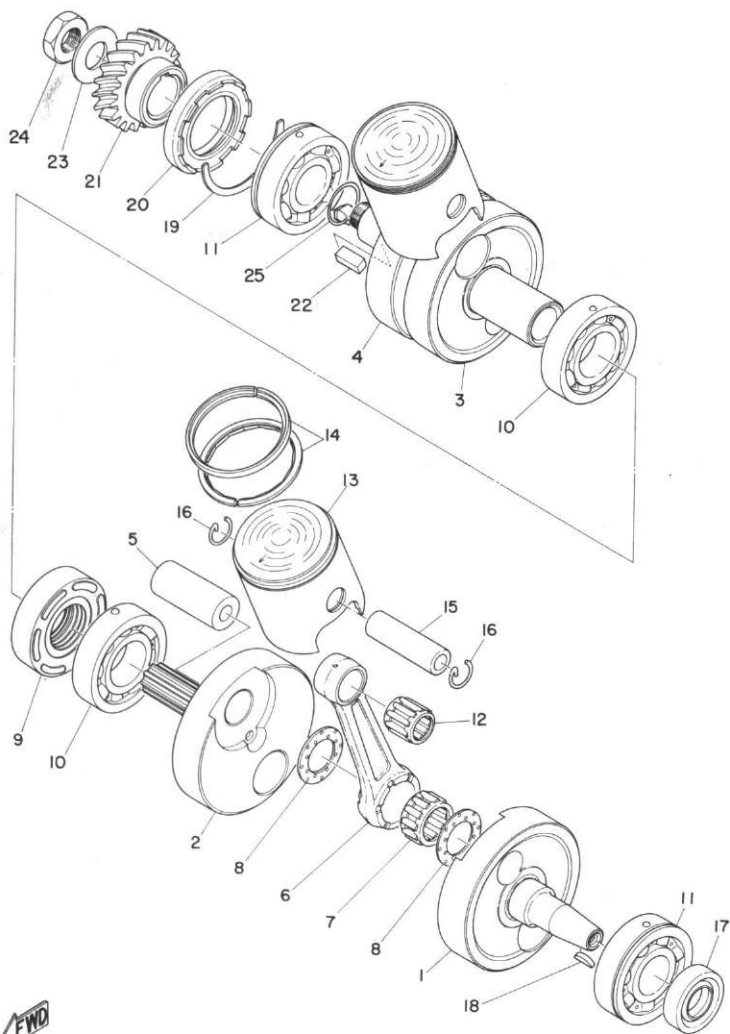
Fig. 4 CRANK · PISTON



# CRANK · PISTON

Ref. No.	Parts No.	Description	Q'ty		Applicable Machine No.	Remarks
			250	350		
4- 0-1	360-11400-00	CRANK ASS'Y .....	1	1		
4- 1	278-11412-00	. CRANK 1, left .....	1	1		
4- 2	278-11422-00	. CRANK 1, right .....	1	1		
4- 3	278-11432-00	. CRANK 2, left .....	1	1		
4- 4	278-11442-00	. CRANK 2, right .....	1	1		
4- 5	278-11681-00	. PIN, crank .....	2	2		
4- 6	360-11651-00	. ROD, connecting .....	2	2		
4- 7	93310-42231	. BEARING, con-rod big end (22-28-15.8) .....	2	2		
4- 8	90209-22071	. WASHER (164-11685-00) ....	4	4		
4- 9	278-11515-00	. SEAL, labyrinth .....	1	1		
4-10	93306-20604	. BEARING (B6206C3 special) ..	2	2		
4-11	93306-30508	. BEARING (B6305C3 special) ..	2	2		
4-12	93310-21680	BEARING, con-rod small end (16-20-19) .....	2			
	93310-21679	BEARING, con-rod small end (16-20-22) .....	2			
4-13	361-11631-02-96	PISTON (53.96mm STD) .....	} U, R	2		
	361-11631-02-98	PISTON (53.98mm STD) .....				
	361-11635-02	PISTON (54.25mm 1st O.S) ....	2			Alternate Parts
	361-11636-02	PISTON (54.50mm 2nd O.S) ....	2			Alternate Parts
	361-11637-02	PISTON (54.75mm 3rd O.S) ....	2			Alternate Parts
	361-11638-02	PISTON (55.00mm 4th O.S) ....	2			Alternate Parts
	360-11631-01-96	PISTON (63.96mm STD) .....	} U, R	2		
	360-11631-01-98	PISTON (63.98mm STD) .....				
	360-11635-01	PISTON (64.25mm 1st O.S) ....	2			Alternate Parts
	360-11636-01	PISTON (64.50mm 2nd O.S) ....	2			Alternate Parts
	360-11637-01	PISTON (64.75mm 3rd O.S) ....	2			Alternate Parts
	360-11638-01	PISTON (65.00mm 4th O.S) ....	2			Alternate Parts

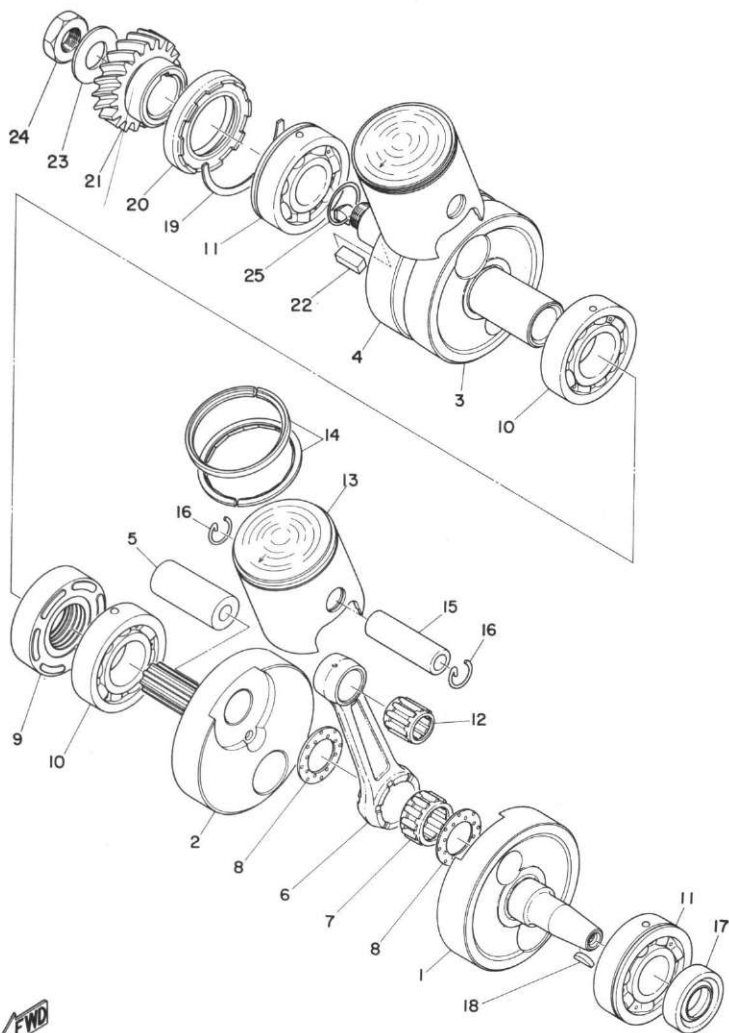
Fig. 4 CRANK · PISTON



# CRANK · PISTON

Ref. No.	Parts No.	Description	Q'ty		Applicable Machine No.	Remarks
			250	350		
4-14	361-11610-02	PISTON RING SET (STD) . . . . .	2s			
	361-11610-12	PISTON RING SET (1st O.S) . . . .	2s			Alternate Parts
	361-11610-22	PISTON RING SET (2nd O.S) . . .	2s			Alternate Parts
	361-11610-32	PISTON RING SET (3rd O.S) . . .	2s			Alternate Parts
	361-11610-42	PISTON RING SET (4th O.S) . . .	2s			Alternate Parts
	360-11610-02	PISTON RING SET (STD) . . . . .	2s			
	360-11610-12	PISTON RING SET (1st O.S) . . .	2s			Alternate Parts
	360-11610-22	PISTON RING SET (2nd O.S) . . .	2s			Alternate Parts
	360-11610-32	PISTON RING SET (3rd O.S) . . .	2s			Alternate Parts
	360-11610-42	PISTON RING SET (4th O.S) . . .	2s			Alternate Parts
4-15	280-11633-00	PIN, piston . . . . .	2			
	278-11633-00	PIN, piston . . . . .	2			
4-16	93450-17025	CLIP (137-11634-00) . . . . .	4	4		
4-17	93103-20076	OIL SEAL (SW-20-40-10 special)	1	1		
4-18	90280-04005	KEY, woodruff (341-11545-00) . .	1	1		
4-19	278-17424-00	CIRCLIP . . . . .	1	1		
4-20	93103-40077	OIL SEAL (SW-40-62-10 special)	1	1		
4-21	280-16111-01	GEAR, primary drive (21T) . . .	1			
	278-16111-01	GEAR, primary drive (23T) . . .	1			
4-22	90282-07006	KEY, woodruff (278-11546-00) . .	1	1		
4-23	214-16119-00	SPRING, belleville . . . . .	1	1		
4-24	90170-16080	NUT (168-11555-00) . . . . .	1	1		
4-25	360-11526-00	SEAL, crankshaft . . . . .	1	1		

Fig. 4 CRANK · PISTON

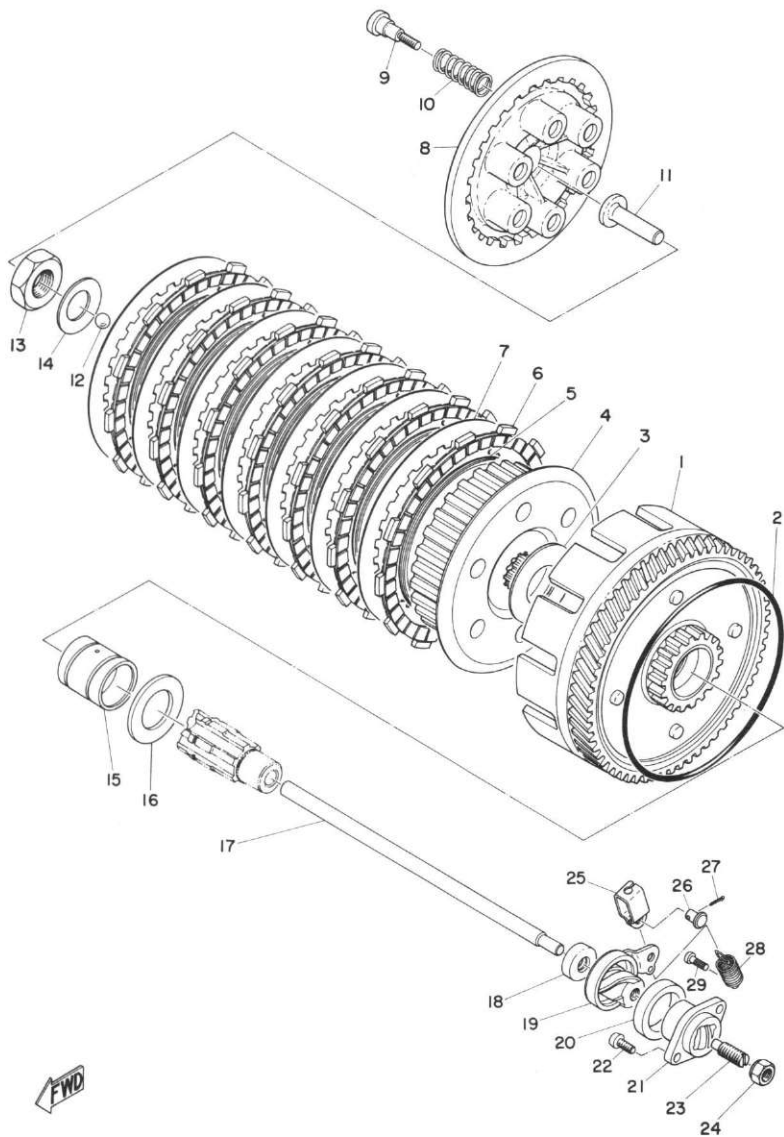


# CRANK · PISTON

Ref. No.	Parts No.	Description	Q'ty		Applicable Machine No.	Remarks
			250	350		
<b>ALTERNATE PARTS</b>						
4- 0-2	361-11630-00	PISTON ASS'Y (STD)	.....	2s		
	361-11630-10	PISTON ASS'Y (1st O.S)	.....	2s		
	361-11630-20	PISTON ASS'Y (2nd O.S)	.....	2s		
	361-11630-30	PISTON ASS'Y (3rd O.S)	.....	2s		
	361-11630-40	PISTON ASS'Y (4th O.S)	.....	2s		
	360-11630-00	PISTON ASS'Y (STD)	.....	2s		
	360-11630-10	PISTON ASS'Y (1st O.S)	.....	2s		
	360-11630-20	PISTON ASS'Y (2nd O.S)	.....	2s		
	360-11630-30	PISTON ASS'Y (3rd O.S)	.....	2s		
	360-11630-40	PISTON ASS'Y (4th O.S)	.....	2s		



Fig. 5 CLUTCH

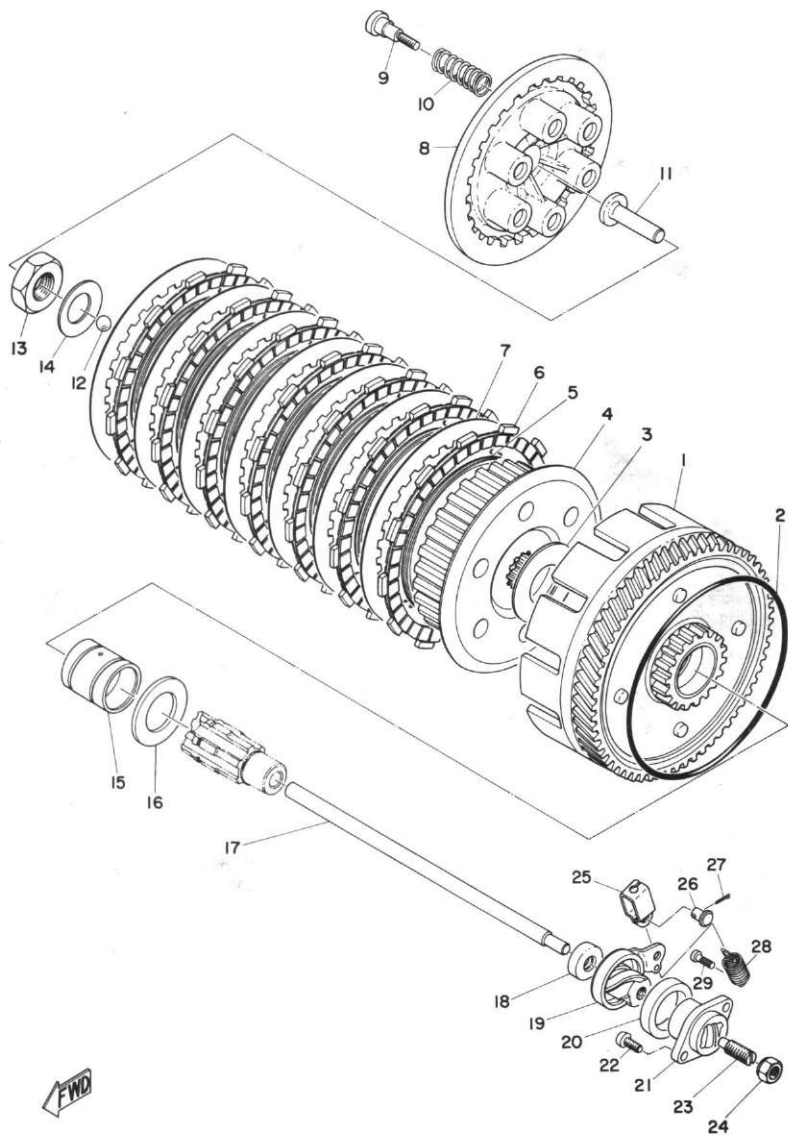


← FWD

# CLUTCH

Ref. No.	Parts No.	Description	Q'ty		Applicable Machine No.	Remarks
			250	350		
5- 0-1	361-16301-01	CLUTCH ASS'Y	1			
	360-16301-01	CLUTCH ASS'Y		1		
5- 1	280-16150-01	. PRIMARY DRIVEN GEAR COMP. (68T)	1			
	278-16150-02	. PRIMARY DRIVEN GEAR COMP. (66T)		1		
5- 2	93211-15149	O-RING (5.7-114.6)	1	1		
5- 3	170-16164-00	. PLATE, thrust 2 (25-50-2)	1	1		
5- 4	360-16370-00	. CLUTCH BOSS ASS'Y	1	1		
5- 5	278-16367-00	. RING, cushion	7	7		
5- 6	360-16321-00	. PLATE, friction	7	7		
5- 7	360-16325-00	. PLATE, clutch	6	6		
5- 8	360-16351-00	. PLATE, pressure	1	1		
5- 9	90149-05057	. SCREW (137-16337-01)	6	6		
5-10	90501-20123	. SPRING (183-16333-70)	6	6		
5-11	174-16356-00	ROD, push	1	1		
5-12	93505-16006	BALL (5/16 inch)	2	2		
5-13	90170-18089	NUT, lock (156-16174-00)	1	1		
5-14	214-16119-00	SPRING, belleville	1	1		
5-15	278-16181-01	SPACER	1	1		
5-16	360-16154-00	PLATE, thrust 1	1	1		
5-17	237-16357-01	ROD, push	1	1		
5-18	237-15389-00	SEAL, push rod	1	1		
5-19	360-16340-00	PUSH LEVER ASS'Y	1	1		
5-20	214-16347-01	SEAL, dust	1	1		
5-21	256-16396-01	HOUSING, push screw	1	1		
5-22	98501-05012	SCREW, panhead	2	2		
5-23	90113-08021	SCREW (256-16343-01)	1	1		
5-24	90179-08179	NUT, adjusting	1	1		
5-25	214-16389-00	JOINT	1	1		

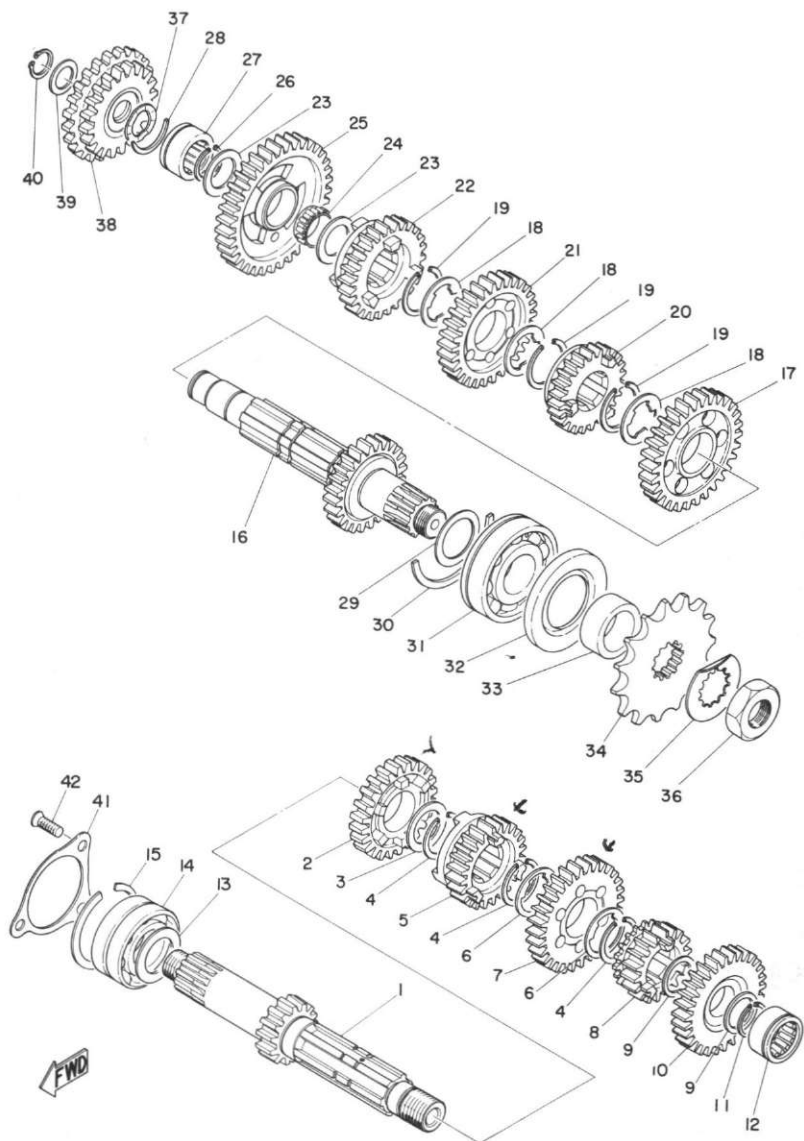
Fig. 5 CLUTCH



## CLUTCH

Ref. No.	Parts No.	Description	Q'ty		Applicable Machine No.	Remarks
			250	350		
5-26	90240-06005	PIN (214-16379-00) .....	1	1		
5-27	91401-10010	PIN, cotter .....	1	1		
5-28	90506-10069	SPRING, return (360-16345-00)	1	1		
5-29	132-16346-00	HOOK, spring .....	1	1		

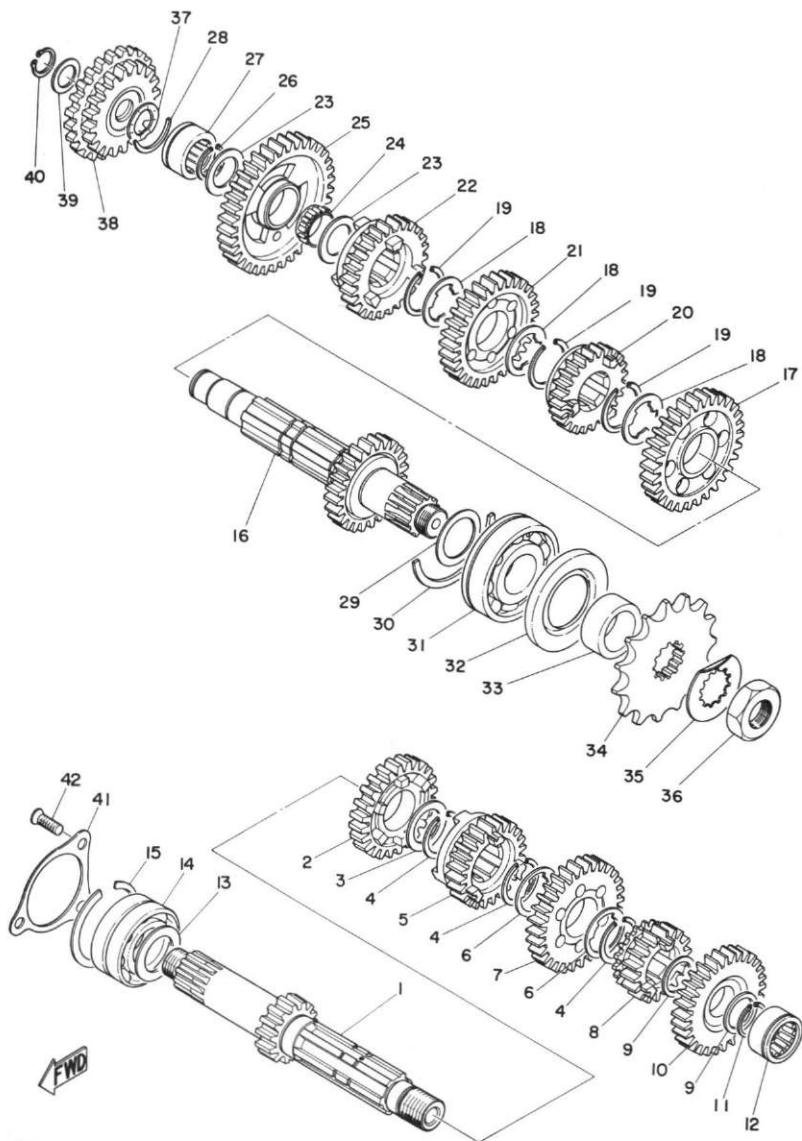
Fig. 6 TRANSMISSION



# TRANSMISSION

Ref. No.	Parts No.	Description	Q'ty		Applicable Machine No.	Remarks
			250	350		
6- 1	360-17411-00	AXLE, main (14T)	1	1		
6- 2	521-17141-00	GEAR, 4th pinion (24T)	1	1		
6- 3	90201-25490	WASHER (152-17226-00)	1	1		
6- 4	93440-25019	CIRCLIP (25φ special)	3	3		
6- 5	521-17131-00	GEAR, 3rd pinion (22T)	1	1		
6- 6	90209-21105	WASHER (328-17216-00)	2	2		
6- 7	521-17161-00	GEAR, 6th pinion (27T)	1	1		
6- 8	360-17121-00	GEAR, 2nd pinion (18T)	1	1		
6- 9	90201-20266	WASHER (132-17216-00)	2	2		
6-10	521-17151-00	GEAR, 5th pinion (26T)	1	1		
6-11	93410-20009	CIRCLIP (S-20)	1	1		
6-12	93311-22005	BEARING (20-30-15)	1	1		
6-13	168-17428-01-03	SHIM, drive axle (25-34-0.3)	}	U. R U. R		
	168-17428-01-05	SHIM, drive axle (25-34-0.5)				
6-14	93305-20502	BEARING (B5205 special)	1	1		
6-15	93440-52009	CIRCLIP (52φ special)	1	1		
6-16	521-17420-00	DRIVE AXLE COMP. (25T)	1	1		
6-17	360-17221-00	GEAR, 2nd wheel (32T)	1	1		
6-18	90209-21105	WASHER (328-17216-00)	3	3		
6-19	93440-25019	CIRCLIP (25φ special)	3	3		
6-20	521-17261-00	GEAR, 6th wheel (24T)	1	1		
6-21	360-17231-00	GEAR, 3rd wheel (29T)	1	1		
6-22	521-17241-00	GEAR, 4th wheel (26T)	1	1		
6-23	90201-20276	WASHER (328-17116-00)	2	2		
6-24	93310-22057	BEARING (20-24-10)	1	1		
6-25	360-17211-00	GEAR, 1st wheel (36T)	1	1		
6-26	93410-20009	CIRCLIP (S-20)	1	1		
6-27	93311-42006	BEARING (20-33-15)	1	1		
6-28	278-17425-00	CIRCLIP	1	1		

Fig. 6 TRANSMISSION

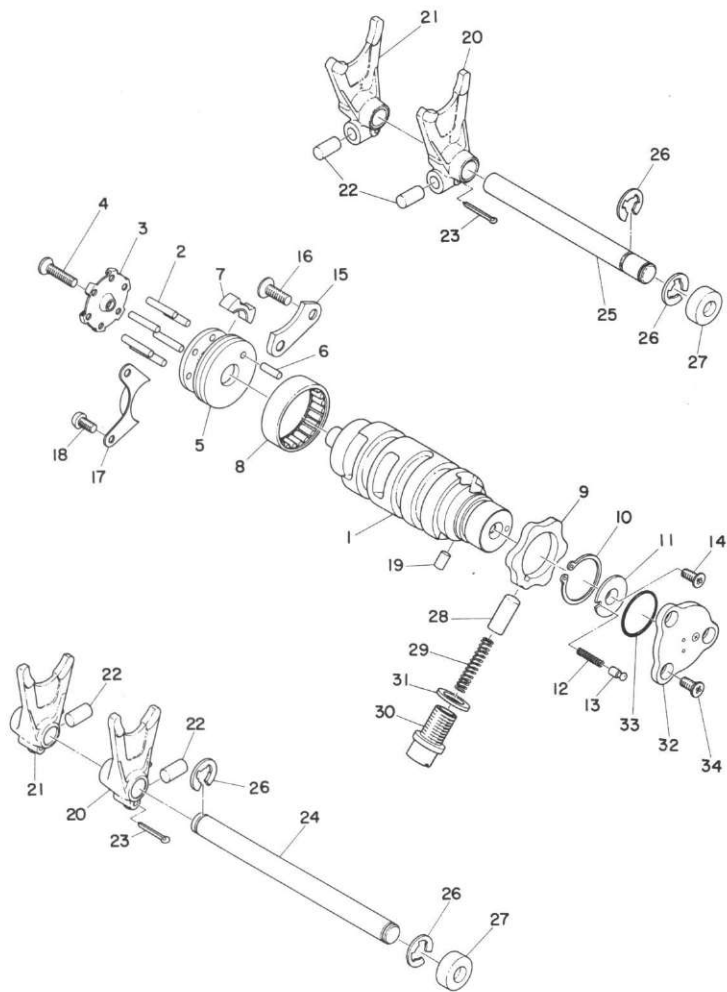


# TRANSMISSION

Ref. No.	Parts No.	Description	Q'ty		Applicable Machine No.	Remarks
			250	350		
6-29	168-17428-01-03	SHIM, drive axle (25-34-0.3)	}	U. R	U. R	
	168-17428-01-05	SHIM, drive axle (25-34-0.5)				
6-30	278-17424-00	CIRCLIP	1	1		
6-31	93306-30504	BEARING (B6305N special)	1	1		
6-32	93102-35054	OIL SEAL (SD-35-62-6)	1	1		
6-33	90387-25192	COLLAR (169-17462-00)	1	1		
6-34	168-17461-50	SPROCKET (15T)	}	U. R	U. R	STD (RD250, RD350)
	168-17461-60	SPROCKET (16T)				
	168-17461-70	SPROCKET (17T)				
6-35	90215-21022	WASHER, lock (156-17464-01)	1	1		
6-36	90179-18020	NUT, lock (152-17463-00)	1	1		
6-37	90206-15021	WASHER, wave (137-15643-00)	1	1		
6-38	278-15650-00	IDLER GEAR ASS'Y (22T & 27T)	1	1		
6-39	164-17417-00-10	SHIM, main axle (15.2-20-1)	1	1		
6-40	93410-15005	CIRCLIP (S-15)	1	1		
6-41	360-17471-00	PLATE, bearing cover	1	1		
6-42	92701-06015	SCREW, flathead	3	3		



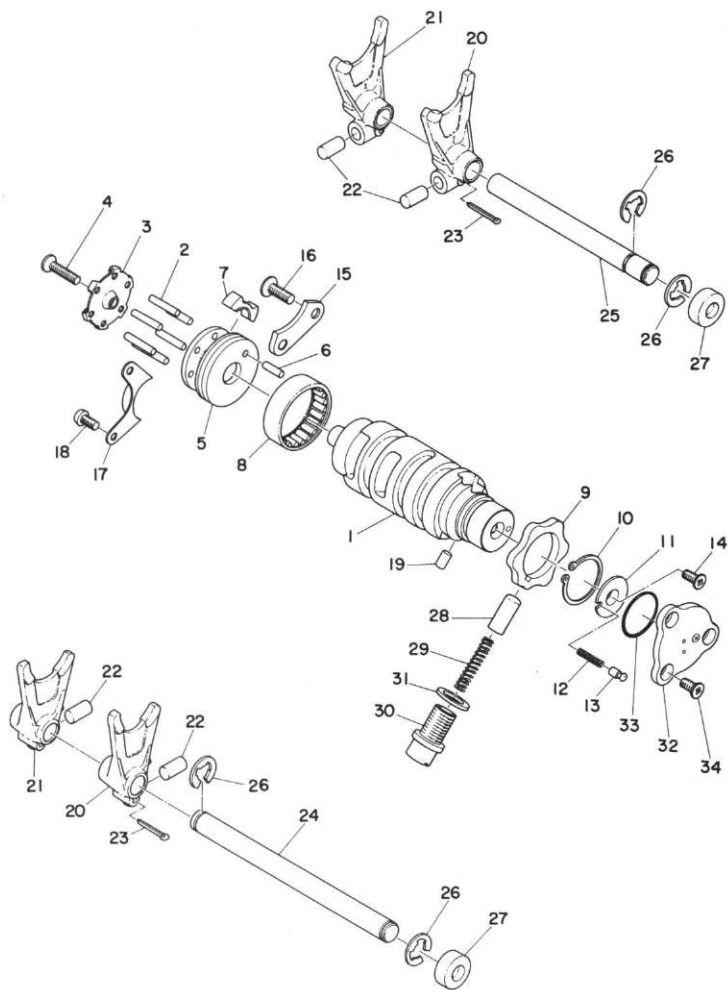
Fig. 7 SHIFTER 1



# SHIFTER 1

Ref. No.	Parts No.	Description	Q'ty		Applicable Machine No.	Remarks
			250	350		
7- 1	360-18541-00	CAM, shift	1	1		
7- 2	93604-22050	PIN, dowel (4-21.8)	6	6		
7- 3	328-18561-00	PLATE, side 1	1	1		
7- 4	98701-05020	SCREW, flathead	1	1		
7- 5	328-18185-00	SEGMENT	1	1		
7- 6	93604-14012	PIN, dowel	1	1		
7- 7	328-18352-10	PLATE, pawl	1	1		
7- 8	93315-23612	BEARING (36-46-12)	1	1		
7- 9	360-18141-01	PLATE, stopper	1	1		
7-10	93410-30012	CIRCLIP (S-30)	1	1		
7-11	278-18566-00	PLATE, side 2	1	1		
7-12	90501-06022	SPRING (278-18545-00)	1	1		
7-13	278-18542-00	POINT, neutral	1	1		
7-14	98701-05012	SCREW, flathead	1	1		
7-15	328-18562-00	PLATE, stopper 2	1	1		
7-16	92701-06015	SCREW, flathead	2	2		
7-17	328-18179-00	GUIDE, change lever	1	1		
7-18	98501-05010	SCREW, panhead	2	2		
7-19	93604-08071	PIN, dowel (4-8)	1	1		
7-20	328-18511-00	FORK, shift 1	2	2		
7-21	328-18512-00	FORK, shift 2	2	2		
7-22	90250-08017	PIN (278-18552-00)	4	4		
7-23	91401-25020	PIN, cotter	4	4		
7-24	278-18531-00	BAR, shift fork guide 1	1	1		
7-25	278-18535-00	BAR, shift fork guide 2	1	1		
7-26	93430-10016	CIRCLIP (E-10)	4	4		
7-27	90338-22009	PLUG, blind (278-18149-00)	2	2		
7-28	278-18547-02	STOPPER, cam	1	1		
7-29	90501-10062	SPRING (278-18557-00)	1	1		

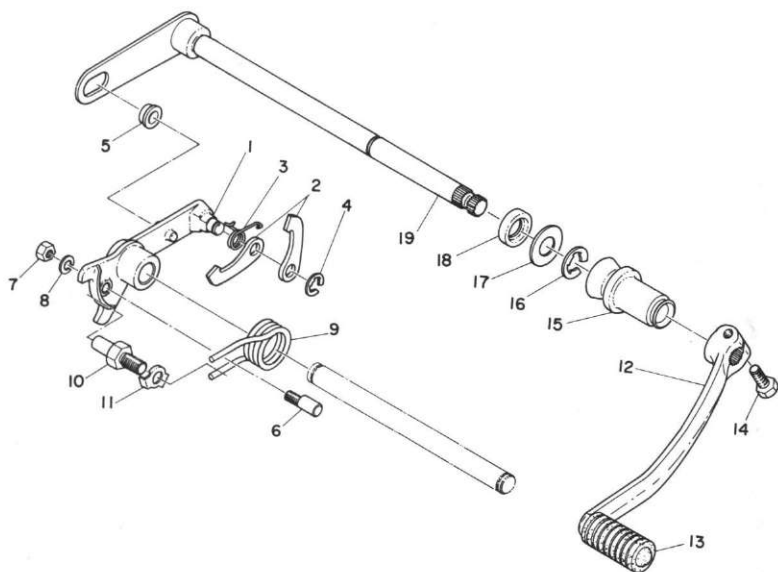
Fig.7 SHIFTER 1



## SHIFTER 1

Ref. No.	Parts No.	Description	Q'ty		Applicable Machine No.	Remarks
			250	350		
7-30	90149-14031	SCREW (278-18577-03) . . . . .	1	1		
7-31	137-15353-00	GASKET, drain plug (14-21-1.5) . . . . .	1	1		
7-32	278-82540-01	NEUTRAL SWITCH ASS'Y . . . . .	1	1		
7-33	93210-29147	O-RING (2.4-29.4) . . . . .	1	1		
7-34	98701-05020	SCREW, flathead . . . . .	3	3		

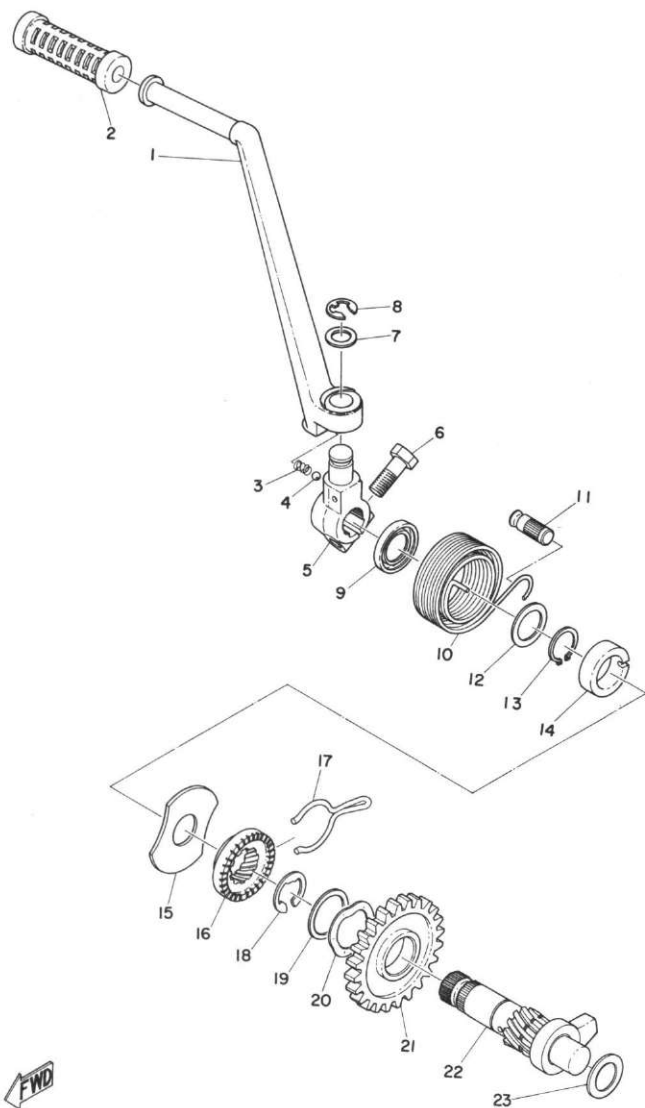
Fig. 8 SHIFTER 2



## SHIFTER 2

Ref. No.	Parts No.	Description	Q'ty		Applicable Machine No.	Remarks
			250	350		
8- 1	328-18128-00	BRACKET .....	1	1		
8- 2	328-18151-00	LEVER, change 3 .....	2	2		
8- 3	90508-08007	SPRING (214-18123-00) .....	1	1		
8- 4	93430-07012	CIRCLIP (E-7) .....	1	1		
8- 5	214-18178-00	ROLLER, change lever .....	1	1		
8- 6	90149-06017	SCREW (214-18186-00) .....	1	1		
8- 7	98801-06100	NUT .....	1	1		
8- 8	92901-06100	WASHER, spring .....	1	1		
8- 9	90508-32055	SPRING (278-18124-00) .....	1	1		
8-10	278-18127-00	STOPPER, screw .....	1	1		
8-11	90215-08015	WASHER, lock (214-18139-02) .....	1	1		
8-12	278-18111-00-93	PEDAL, change .....	1	1		
8-13	132-18113-01	COVER, change pedal .....	1	1		
8-14	91101-06020	BOLT .....	1	1		
8-15	278-18131-00	BOOT, sealing .....	1	1		
8-16	93430-10016	CIRCLIP (E-10) .....	1	1		
8-17	90201-12183	WASHER (132-18137-00) .....	1	1		
8-18	93101-12004	OIL SEAL (S-12-22-5) .....	1	1		
8-19	278-18101-01	CHANGE SHAFT ASS'Y .....	1	1		

Fig. 9 KICK STARTER

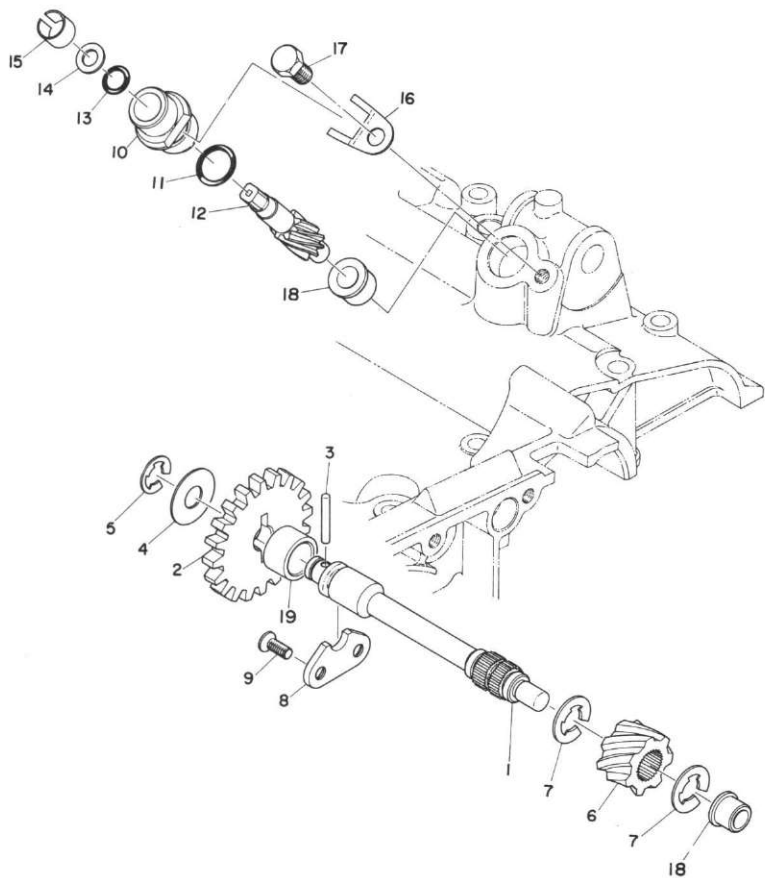


# KICK STARTER

Ref. No.	Parts No.	Description	Q'ty		Applicable Machine No.	Remarks
			250	350		
9- 1	278-15611-00-93	CRANK, kick .....	1	1		
9- 2	156-15618-01	COVER, kick lever .....	1	1		
9- 3	90501-12081	SPRING (278-15622-00) .....	1	1		
9- 4	93507-32009	BALL (7/32 inch) .....	1	1		
9- 5	278-15621-00	BOSS, kick crank .....	1	1		
9- 6	97321-08030	BOLT .....	1	1		
9- 7	90201-15234	WASHER (278-15613-00) .....	1	1		
9- 8	93430-10016	CIRCLIP (E-10) .....	1	1		
9- 9	93104-20007	OIL SEAL (SO-20-30-4.5) ....	1	1		
9-10	90508-30051	SPRING, kick (278-15665-00) ...	1	1		
9-11	248-15668-00	STOPPER, kick spring .....	1	1		
9-12	90201-20266	WASHER (132-17216-00) .....	1	1		
9-13	93410-20009	CIRCLIP (S-20) .....	1	1		
9-14	278-15666-00	SPACER .....	1	1		
9-15	278-15676-00	COVER, spring .....	1	1		
9-16	278-15671-00	WHEEL, ratchet .....	1	1		
9-17	90468-26045	CLIP (278-15687-00) .....	1	1		
9-18	93440-25019	CIRCLIP (25ø special) .....	1	1		
9-19	90201-25490	WASHER (152-17226-00) .....	1	1		
9-20	90206-25029	WASHER, wave (278-15643-01) ..	1	1		
9-21	278-15641-00	GEAR, kick (27T) .....	1	1		
9-22	278-15660-01	KICK AXLE ASS'Y .....	1	1		
9-23	136-17417-00-10	SHIM (17.2-28-1) .....	1	1		



Fig. 10 TACHOMETER GEAR

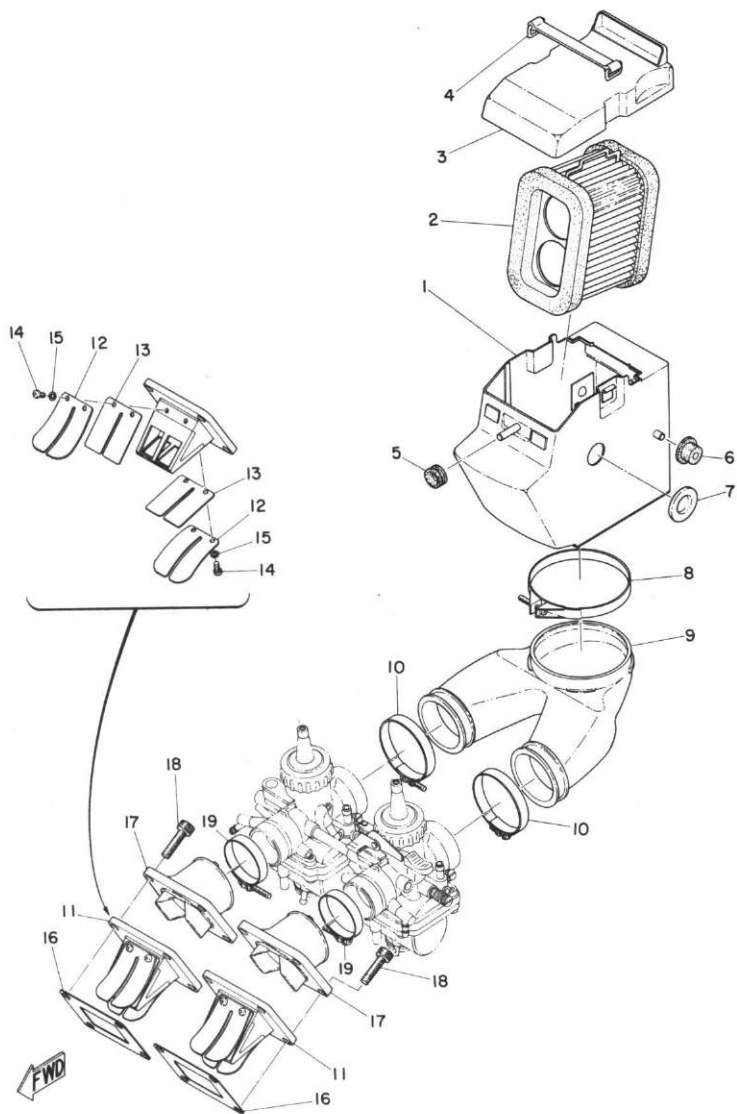


FWD

# TACHOMETER GEAR

Ref. No.	Parts No.	Description	Q'ty		Applicable Machine No.	Remarks
			250	350		
10- 1	278-17861-00	AXLE .....	1	1		
10- 2	280-17851-00	GEAR, primary .....	1			
	278-17851-00	GEAR, primary .....		1		
10- 3	93603-22028	PIN, dowel (3-21.8) .....	1	1		
10- 4	90201-10135	WASHER (102-18138-00) .....	1	1		
10- 5	93430-08006	CIRCLIP (E-8) .....	1	1		
10- 6	278-17831-00	GEAR, drive .....	1	1		
10- 7	93430-10016	CIRCLIP (E-10) .....	2	2		
10- 8	278-17812-00	STOPPER .....	1	1		
10- 9	98701-05012	SCREW, flathead .....	2	2		
10-10	214-17811-01	HOUSING .....	1	1		
10-11	93210-13016	O-RING (1.8-13) .....	1	1		
10-12	214-17841-01	GEAR, driven .....	1	1		
10-13	93210-07100	O-RING (2.2-7.2) .....	1	1		
10-14	214-17847-00	SHIM (7.5-10.8-0.4) .....	1	1		
10-15	90383-10005	BUSHING (214-17815-00) .....	1	1		
10-16	214-17812-00	STOPPER .....	1	1		
10-17	91201-06010	BOLT .....	1	1		
10-18	214-17843-00	BUSHING .....	2	2		
10-19	90380-14014	BUSHING (278-17833-00) .....	1	1		

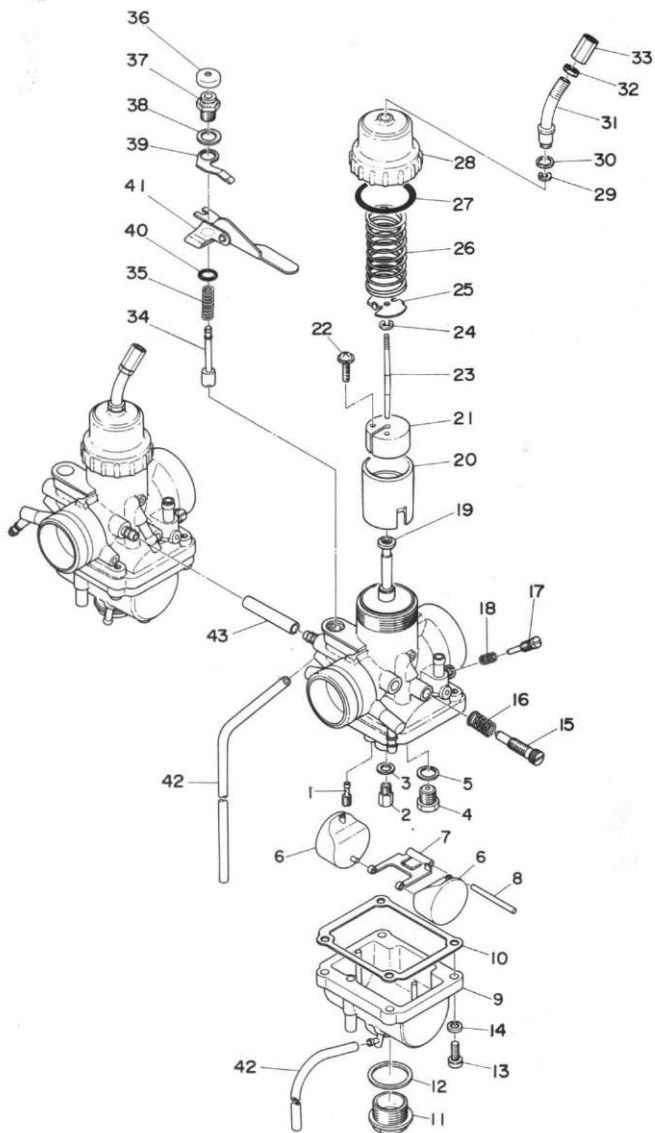
Fig. 11 INTAKE



# INTAKE

Ref. No.	Parts No.	Description	Q'ty		Applicable Machine No.	Remarks
			250	350		
11- 1	360-14411-00	CASE, air cleaner	1	1		
11- 2	360-14451-90	ELEMENT	1	1		
11- 3	278-14412-01	CAP, case	1	1		
11- 4	278-14459-00	HOLDER	1	1		
11- 5	90480-10091	DAMPER (214-21746-00)	1	1		
11- 6	278-14426-00	DAMPER 2	2	2		
11- 7	90480-19032	GROMMET (360-14435-00)	2	2		
11- 8	90460-77016	BAND (360-14456-00)	1	1		
11- 9	360-14453-00	JOINT	1	1		
11-10	90460-49058	BAND (278-14455-00)	2	2		
11-11	345-13610-70	REED VALVE ASS'Y	2	2		
11-12	345-13616-70	. STOPPER, reed valve	4	4		
11-13	345-13613-70	. VALVE, reed	4	4		
11-14	98512-03008	. SCREW, panhead	8	8		
11-15	92901-03100	. WASHER, spring	8	8		
11-16	314-13621-02	PACKING, valve seat	2	2		
11-17	345-13565-71	JOINT	2	2		
11-18	91316-06025	BOLT	8	8		
11-19	90460-43053	BAND (304-14455-70)	2	2		

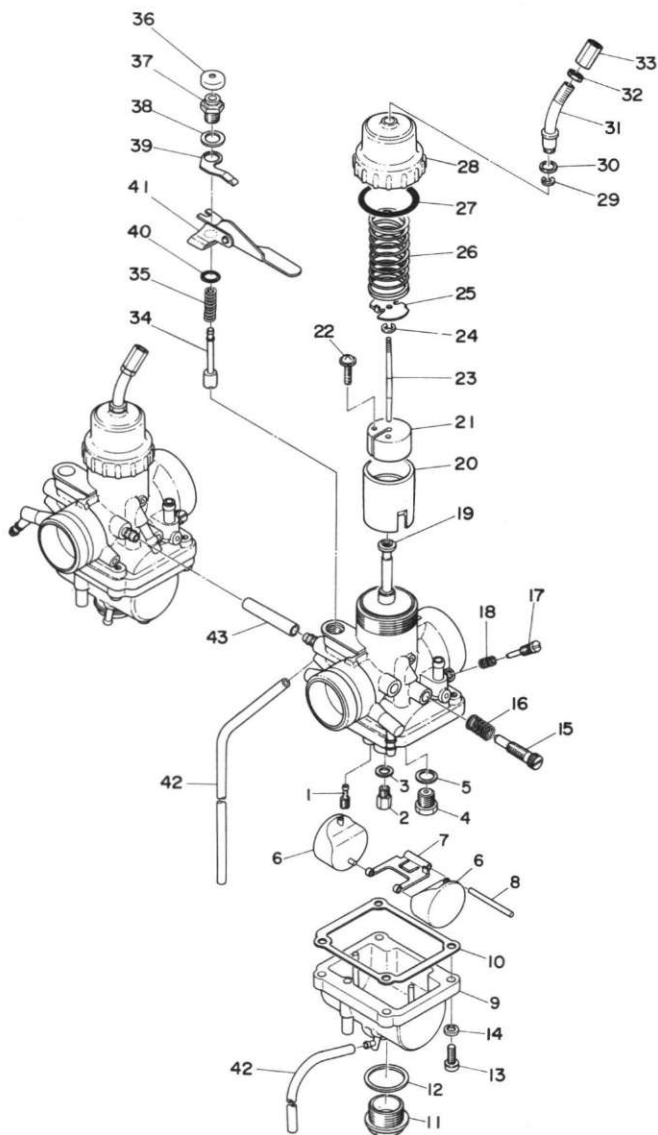
Fig. 12 CARBURETOR



# CARBURETOR

Ref. No.	Parts No.	Description	Q'ty		Applicable Machine No.	Remarks
			250	350		
12- 0-1	361-14101-92	CARBURETOR ASS'Y, left	.....	1		Black
	360-14101-92	CARBURETOR ASS'Y, left	.....	1		Black
12- 0-2	361-14102-92	CARBURETOR ASS'Y, right	.....	1		Black
	360-14102-92	CARBURETOR ASS'Y, right	.....	1		Black
12- 1	193-14142-30	. JET, pilot (#25)	.....	2	2	
12- 2	137-14143-18	. JET, main (#90)	.....	} U. R. U. R. 2 2		STD(RD250)
	137-14143-19	. JET, main (#95)	.....			
	137-14143-20	. JET, main (#100)	.....			
	137-14143-21	. JET, main (#105)	.....			
	137-14143-22	. JET, main (#110)	.....			
12- 3	137-14153-00	. WASHER, main jet	.....	2	2	
12- 4	168-14190-25	. VALVE SEAT ASS'Y (#2.5)	...	2	2	
12- 5	214-14195-00	. WASHER, valve seat	.....	2	2	
12- 6	280-14185-00	. FLOAT	.....	4	4	
12- 7	280-14187-00	. ARM, float	.....	2	2	
12- 8	137-14186-00	. PIN, float	.....	2	2	
12- 9	360-14181-00-33	. BODY, float chamber left	...	1	1	
12- 9-1	360-14183-00-33	. BODY, float chamber right	..	1	1	
12-10	360-14184-00	. GASKET, float chamber	.....	2	2	
12-11	278-14115-00	. PLUG, screw	.....	2	2	
12-12	278-14117-00	. WASHER, screw plug	.....	2	2	
12-13	98503-04015	. SCREW, panhead	.....	8	8	
12-14	92901-04100	. WASHER, spring	.....	8	8	
12-15	204-14122-00	. SCREW, throttle	.....	2	2	
12-16	137-14133-00	. SPRING, throttle stop	.....	2	2	
12-17	152-14123-00	. SCREW, air adjusting	.....	2	2	
12-18	127-14134-00	. SPRING, air adjusting	.....	2	2	
12-19	360-14141-38	. NOZZLE, main (0-8)	.....	2	2	
12-20	361-14112-25	. VALVE, throttle left (#2.5)	..	1	1	
12-20-1	361-14113-25	. VALVE, throttle right (#2.5)	..	1	1	

Fig. 12 CARBURETOR

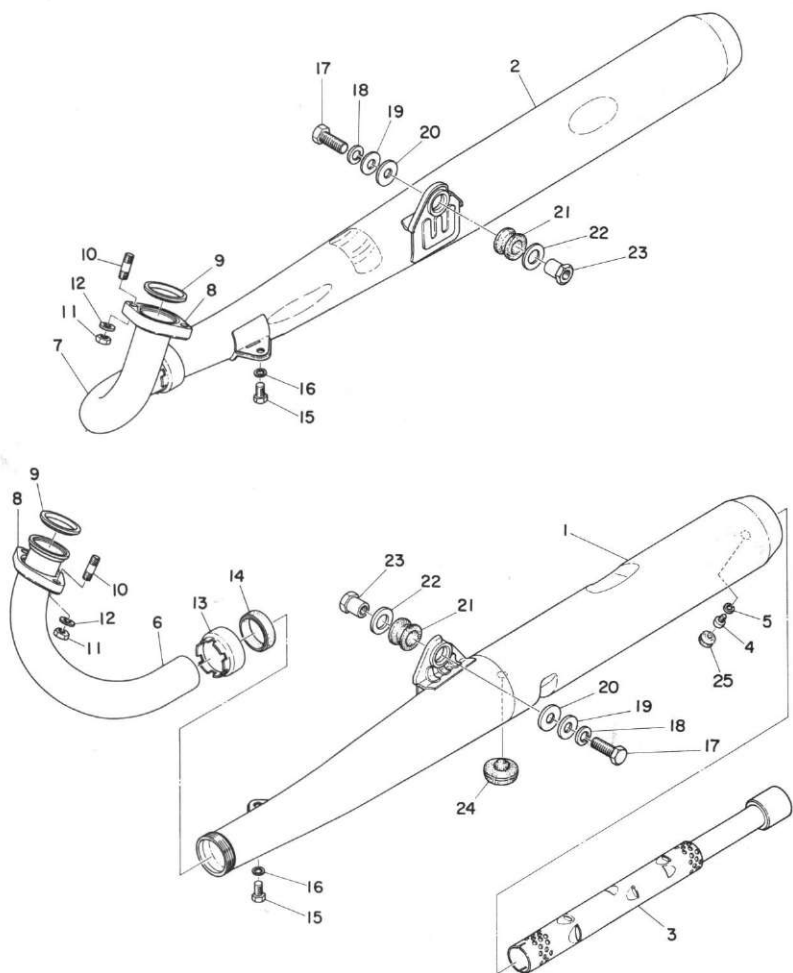


# CARBURETOR

Ref. No.	Parts No.	Description	Q'ty		Applicable Machine No.	Remarks
			250	350		
12-21	361-14946-00	. PLATE, set needle	2	2		
12-22	97602-03120	. SCREW	4	4		
12-23	360-14116-04	. NEEDLE (514-4)	2	2		
12-24	164-14137-00	. CLIP	2	2		
12-25	401-14136-00	. SEAT, spring	2	2		
12-26	360-14131-00	. SPRING, throttle valve	2	2		
12-27	361-14147-00	. O-RING	2	2		
12-28	360-14158-00-33	. TOP, mixing chamber	2	2		
12-29	363-14137-00	. CLIP	2	2		
12-30	363-14198-00	. PACKING	2	2		
12-31	363-14155-00	. TUBE, guide wire	2	2		
12-32	127-14161-00	. NUT, wire adjusting	2	2		
12-33	361-14124-00	. SCREW, wire adjusting	2	2		
12-34	278-14171-00	. PLUNGER, starter	1	1		
12-35	256-14135-00	. SPRING, plunger	1	1		
12-36	802-14173-00	. COVER, plunger cap	1	1		
12-37	278-14174-00	. CAP, plunger	1	1		
12-38	132-14179-00	. WASHER, starter lever	1	1		
12-39	170-14178-00	. PLATE, starter lever	1	1		
12-40	93220-09001	. O-RING	1	1		
12-41	360-14175-00	. LEVER, starter left	1	1		
12-42	278-14197-00	. PIPE, air vent (3-320)	4	4		
12-43	90445-09056	PIPE (360-14485-00 5-39)	1	1		



Fig.13 EXHAUST

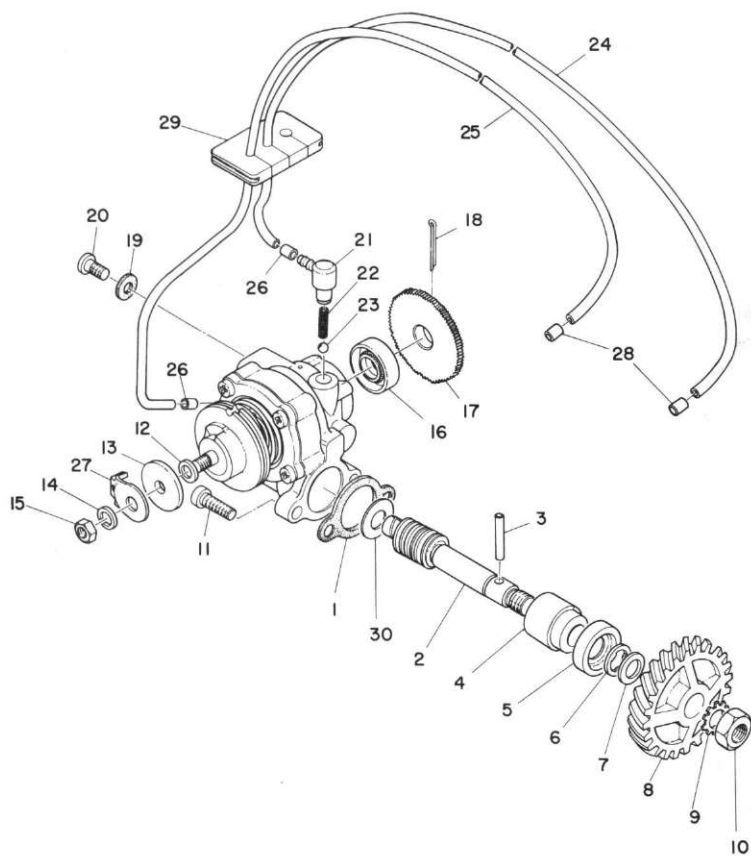


FWD

# EXHAUST

Ref. No.	Parts No.	Description	Q'ty		Applicable Machine No.	Remarks
			250	350		
13- 1	521-14710-00	MUFFLER ASS'Y, left	1	1		
13- 2	521-14720-00	MUFFLER ASS'Y, right	1	1		
13- 3	521-14753-00	. SILENCER	2	2		
13- 4	92501-06010	. SCREW, panhead	2	2		
13- 5	92901-06100	. WASHER, spring	2	2		
13- 6	278-14611-00	PIPE, exhaust left	1	1		
13- 7	278-14621-00	PIPE, exhaust right	1	1		
13- 8	246-14612-00	NUT, ring	2	2		
13- 9	152-14613-00	GASKET, exhaust	2	2		
13-10	90116-08166	BOLT, stud	4	4		
13-11	95303-08600	NUT, hexagon	4	4		
13-12	92901-08100	WASHER, spring	4	4		
13-13	360-14713-00	NUT, muffler joint	2	2		
13-14	360-14714-00	GASKET, muffler joint	2	2		
13-15	97301-08015	BOLT, hexagon	2	2		
13-16	92901-08100	WASHER, spring	2	2		
13-17	90101-10257	BOLT, hexagon	2	2		
13-18	92901-10100	WASHER, spring	2	2		
13-19	92901-10200	WASHER, plain	2	2		
13-20	90201-10140	WASHER (102-22243-00)	2	2		
13-21	168-21639-00	DAMPER, rear	2	2		
13-22	90201-15239	WASHER (168-21615-00)	2	2		
13-23	90179-10123	NUT (168-21635-00)	2	2		
13-24	278-27114-00	STOPPER, main stand	1	1		
13-25	90480-14153	GROMMET	2	2		

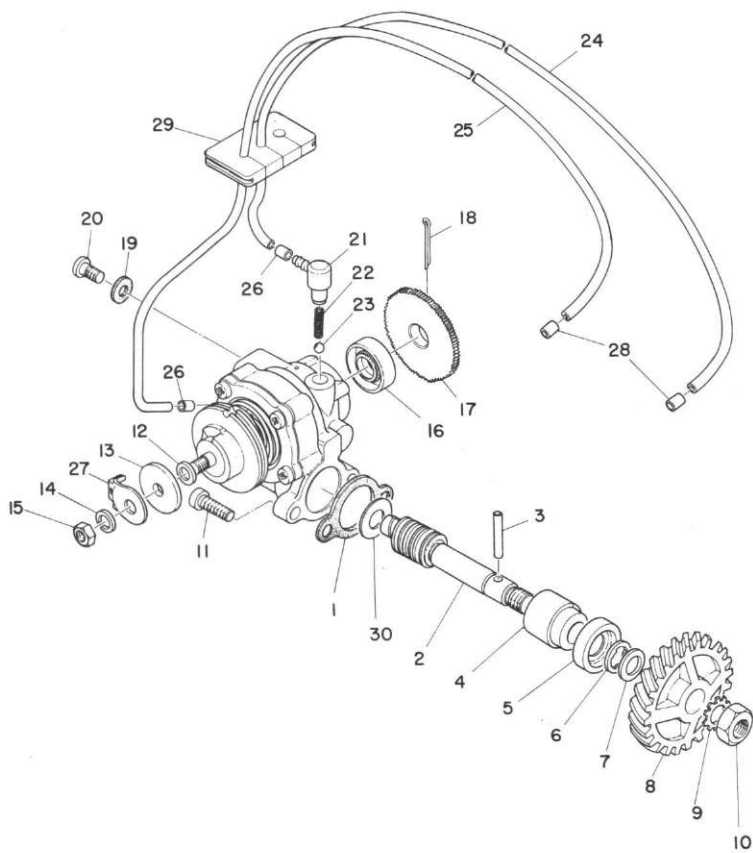
Fig. 14 OIL PUMP



# OIL PUMP

Ref. No.	Parts No.	Description	Q'ty		Applicable Machine No.	Remarks
			250	350		
14- 1	126-13116-00	GASKET, pump case	1	1		
14- 2	275-13175-00	SHAFT, worm	1			
	278-13175-00	SHAFT, worm		1		
14- 3	93603-22028	PIN, dowel (3-22)	1	1		
14- 4	137-13176-00	METAL, worm shaft outer	1	1		
14- 5	93101-10002	OIL SEAL (S-10-22-7)	1	1		
14- 6	93430-08006	CIRCLIP (E-8)	1	1		
14- 7	90201-10135	WASHER (102-18138-00 10.2-24-1)	1	1		
14- 8	280-13178-00	GEAR, pump drive (22T)	1			
	278-13178-00	GEAR, pump drive (21T)		1		
14- 9	92901-08400	WASHER, tooth	1	1		
14-10	95301-08700	NUT	1	1		
14-11	98501-05015	SCREW, panhead	2	2		
14- 0-1	361-13101-01	OIL PUMP ASS'Y	1			
	360-13101-01	OIL PUMP ASS'Y		1		
14-12	137-13137-00-03	. SHIM, plunger (5.8-10-0.3)	}	}	U.R.U.R	
	137-13137-00-05	. SHIM, plunger (5.8-10-0.5)				
14-13	137-13138-01	. PLATE, adjusting	1	1		
14-14	92901-05100	. WASHER, spring	1	1		
14-15	98801-05200	. NUT	1	1		
14-16	93101-10001	. OIL SEAL (S-10-21-5)	1	1		
14-17	137-13128-00	. PLATE, starter	1	1		
14-18	91401-12018	. PIN, cotter	1	1		
14-19	90430-04004	. GASKET (137-13187-00)	1	1		
14-20	98901-04008	. SCREW, bind	1	1		
14-21	353-13552-01	. NOZZLE	2	2		
14-22	90501-02018	. SPRING (278-13169-00)	2	2		
14-23	93505-32002	. BALL (5/32 inch)	2	2		
14-24	278-13161-00	. PIPE, delivery (3-420)	1	1		

Fig. 14 OIL PUMP



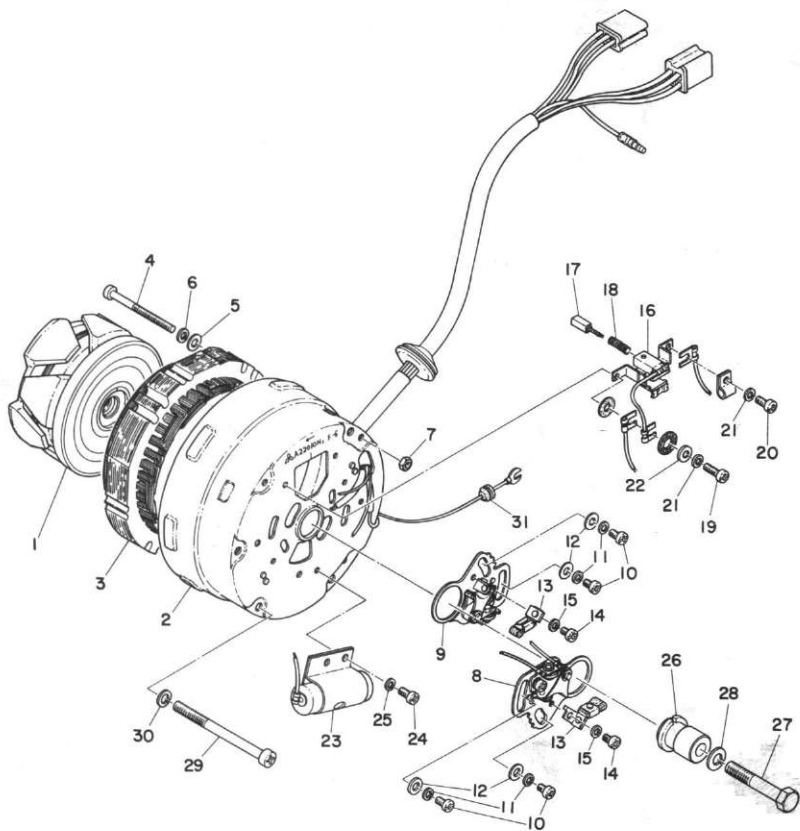
FWD

# OIL PUMP

Ref. No.	Parts No.	Description	Q'ty		Applicable Machine No.	Remarks
			250	350		
14-25	90445-05031	. PIPE (214-13161-01 3-240) ..	1	1		
14-26	90468-02033	. CLIP (214-13164-00) .....	2	2		
14-27	402-13146-00	. COVER .....	1	1		
14-28	90468-02033	CLIP (214-13164-00) .....	2	2		
14-29	278-13174-00	HOLDER, oil pipe .....	1	1		
14-30	256-17837-00	SHIM .....	1	1		



Fig. 15 A. C. GENERATOR

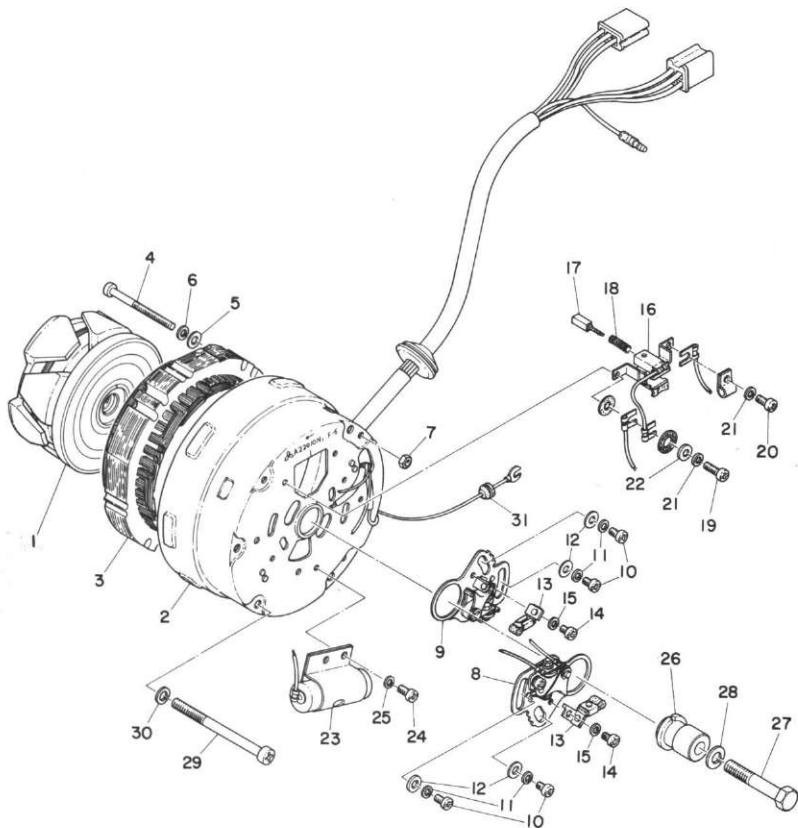


# A.C.GENERATOR

Ref. No.	Parts No.	Description	Q'ty		Applicable Machine No.	Remarks
			250	350		
15- 0-1	360-81600-22	A. C GENERATOR ASS'Y	1	1		
15- 1	360-81650-20	. ROTOR ASS'Y	1	1		
15- 2	360-81610-22	. STATOR ASS'Y	1	1		
15- 3	360-81640-20	. . ARMATURE ASS'Y	1	1		
15- 4	802-84131-00	. . SCREW, panhead	4	4		
15- 5	92901-04200	. . WASHER, plain	4	4		
15- 6	92901-04100	. . WASHER, spring	4	4		
15- 7	98801-04100	. . NUT	4	4		
15- 8	278-81621-20	. . CONTACT BREAKER ASS'Y, left	1	1		
15- 9	278-81622-20	. . CONTACT BREAKER ASS'Y, right	1	1		
15-10	98501-04008	. . SCREW, panhead	4	4		
15-11	92901-04100	. . WASHER, spring	4	4		
15-12	92901-04200	. . WASHER, plain	4	4		
15-13	131-81231-20	. . LUBRICATOR	2	2		
15-14	98501-04008	. . SCREW, panhead	2	2		
15-15	92901-04100	. . WASHER, spring	2	2		
15-16	360-81619-20	. . BRUSH HOLDER ASS'Y	1	1		
15-17	278-81611-20	. . BRUSH	2	2		
15-18	278-81617-20	. . . SPRING, brush	2	2		
15-19	98501-04012	. . SCREW, panhead	1	1		
15-20	98501-04008	. . SCREW, panhead	1	1		
15-21	92901-04100	. . WASHER, spring	2	2		
15-22	92901-04200	. . WASHER, plain	1	1		
15-23	360-81625-20	. . CONDENSER	1	1		
15-24	98501-04008	. . SCREW, panhead	2	2		
15-25	92901-04100	. . WASHER, spring	2	2		
15-26	278-81651-20	. CAM	1	1		
15-27	278-81652-20	. BOLT	1	1		



Fig. 15 A. C. GENERATOR



# A.C.GENERATOR

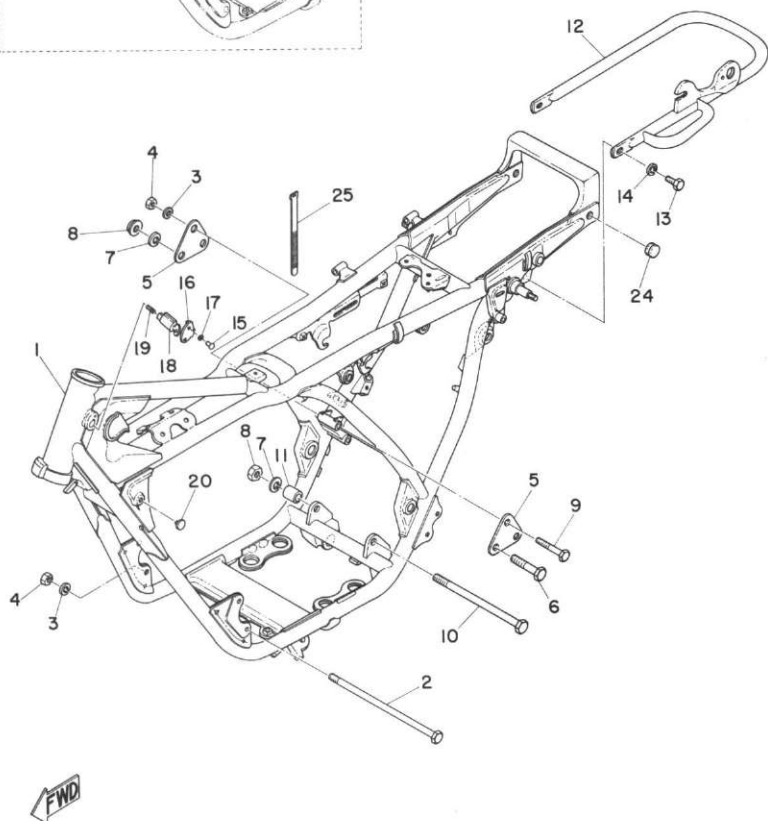
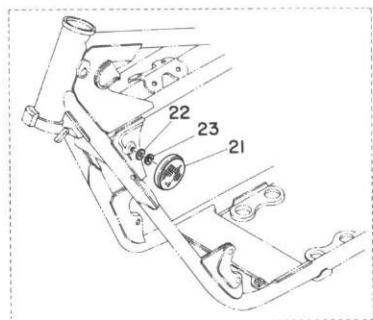
Ref. No.	Parts No.	Description	Q'ty		Applicable Machine No.	Remarks
			250	350		
15-28	92901-08100	. WASHER, spring .....	1	1		
15-29	168-81235-21	. SCREW, stator .....	3	3		
15-30	92901-05100	. WASHER, spring .....	3	3		
15-31	90480-01148	GROMMET (136-82545-00) ....	1	1		



# CHASSIS



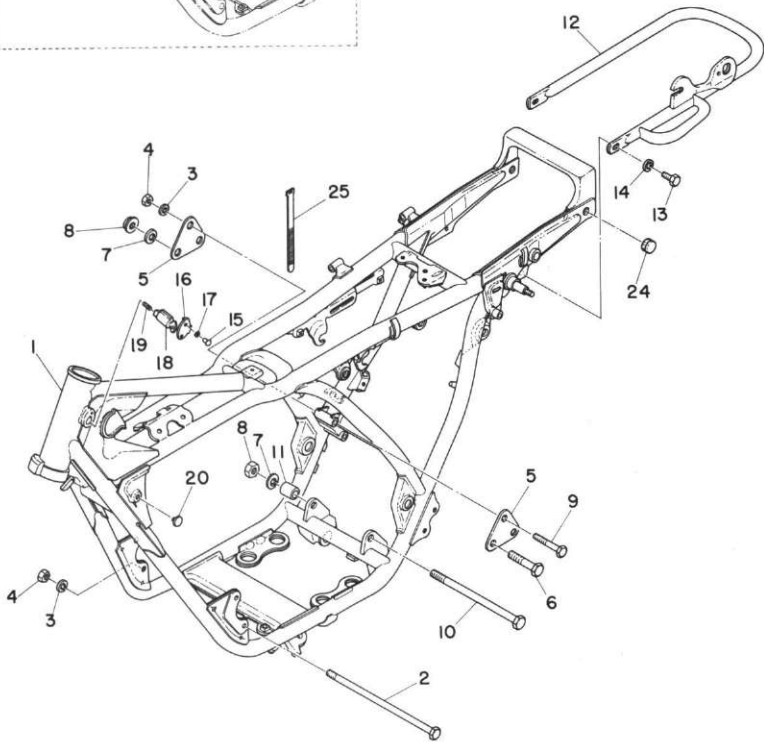
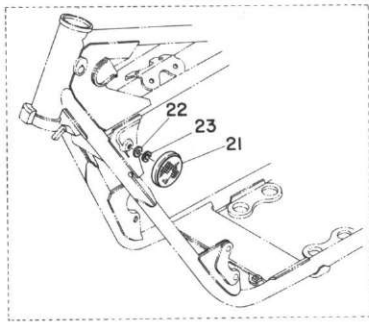
Fig. 16 FRAME



# FRAME

Ref. No.	Rarts No.	Description	Q'ty		FRANCE	HOLLAND	W. GERMANY	SWITZERLAND	BELGIUM	FINLAND	DENMARK	NORWAY	AUSTRIA	ENGLAND	ITALY	Remarks
			250	350												
16- 1	360-21110-01-33	FRAME COMP. ....	1	1	x						x	x	x	x		Yamaha Black
	360-21110-21-33	FRAME COMP. ....	1	1	x		x	x								Yamaha Black
	360-21110-41-33	FRAME COMP. ....	1	1		x										Yamaha Black
	360-21110-81-33	FRAME COMP. ....	1	1						x	x					Yamaha Black
	413-21110-91-33	FRAME COMP. ....	1	1					x							Yamaha Black
16- 2	90105-08033	BOLT .....	2	2	x	x	x	x	x	x	x	x	x	x	x	
16- 3	92901-08100	WASHER, spring .....	4	4	x	x	x	x	x	x	x	x	x	x	x	
16- 4	95711-08100	NUT, flange .....	4	4	x	x	x	x	x	x	x	x	x	x	x	
16- 5	248-21315-00	STAY, engine rear upper ..	2	2	x	x	x	x	x	x	x	x	x	x	x	
16- 6	95821-10060	BOLT, flange .....	1	1	x	x	x	x	x	x	x	x	x	x	x	
16- 7	92901-10100	WASHER, spring .....	2	2	x	x	x	x	x	x	x	x	x	x	x	
16- 8	95711-10100	NUT, flange .....	2	2	x	x	x	x	x	x	x	x	x	x	x	
16- 9	95821-08055	BOLT, hexagon .....	2	2	x	x	x	x	x	x	x	x	x	x	x	
16-10	95821-10200	BOLT, flange .....	1	1	x	x	x	x	x	x	x	x	x	x	x	
16-11	90387-12101	COLLAR (278-21472-00) ..	1	1	x	x	x	x	x	x	x	x	x	x	x	
16-12	360-21645-00	STAY, rear .....	1	1	x	x	x	x	x	x	x	x	x	x	x	
16-13	97201-08020	BOLT .....	2	2	x	x	x	x	x	x	x	x	x	x	x	
16-14	92901-08100	WASHER, spring .....	2	2	x	x	x	x	x	x	x	x	x	x	x	
16-15	134-23483-10	RIVET .....	1	1		x		x	x							⊙
	90269-04003	RIVET (214-23483-00) ...	1	1	x	x		x	x			x	x	x	x	
16-16	134-23484-10	CAP, handle lock .....	1	1	x	x	x	x	x	x	x	x	x	x	x	
16-17	134-23488-10	WASHER, wave .....	1	1		x		x	x							⊙
	90206-04003	WASHER, wave (214-23488-00) .....	1	1	x	x		x	x			x	x	x	x	
16-18	169-23480-10	STEERING LOCK ASS'Y ..	1	1		x		x	x		x					⊙
	341-23408-01	STEERING LOCK ASS'Y ..	1	1	x	x		x	x		x		x	x	x	
16-19	134-23485-10	SPRING .....	1	1		x										
	90502-08005	SPRING (214-23485-00) ..	1	1	x	x		x	x		x		x	x	x	

Fig. 16 FRAME

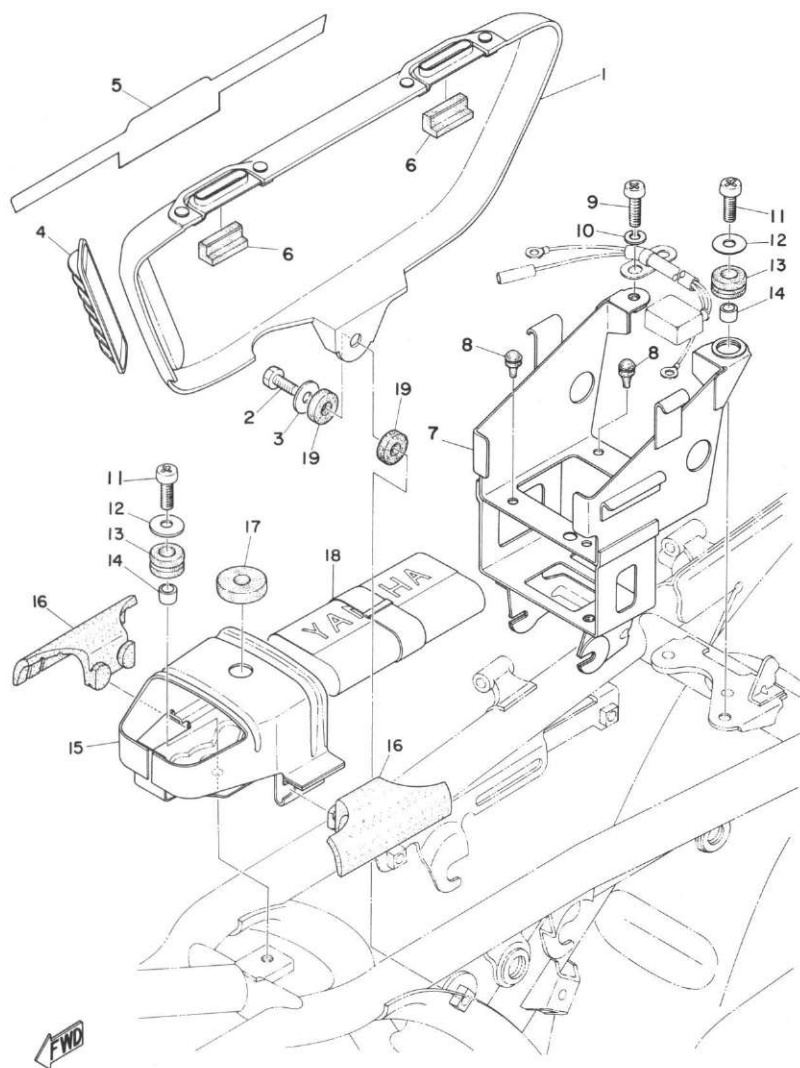


# FRAME

Ref. No.	Parts No.	Description	Q'ty		FRANCE	HOLLAND	SWITZERLAND	W. GERMANY	BELGIUM	SWEDEN	FINLAND	DENMARK	NORWAY	AUSTRIA	ENGLAND	ITALY	Remarks	
			250	350														
16-20	90338-04010	PLUG, blind (290-83329-00)	2	2	x	x	x	x	x	x	x	x	x	x	x			
16-21	341-85111-00	REFLECTOR .....	2	2												x	x	Alternate Parts
16-22	92901-05200	WASHER, plain .....	2	2												x	x	Alternate Parts
16-23	92901-05100	WASHER, spring .....	2	2												x	x	Alternate Parts
16-24	90338-18054	PLUG (360-83349-00) ...	2	2			x	x		x	x	x						
16-25	803-82591-00	BAND .....	2	2	x	x	x	x	x	x	x	x	x	x	x	x		



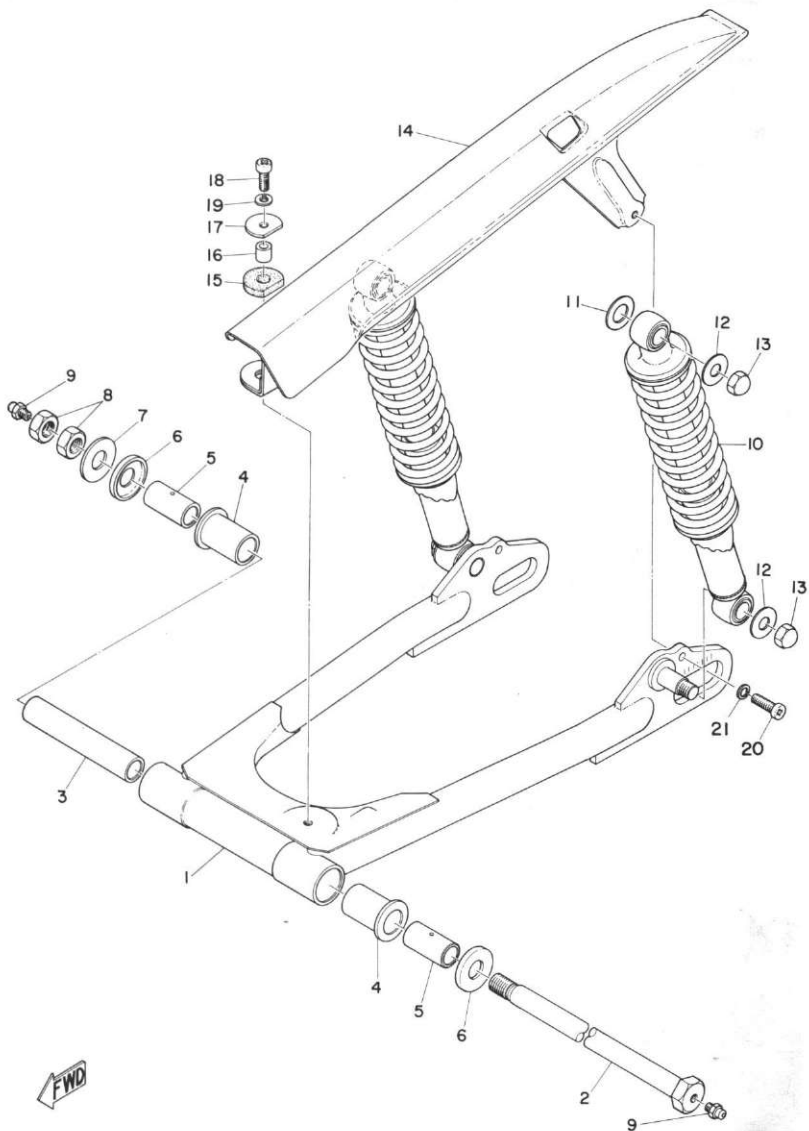
Fig. 17 SIDE COVER · TOOL BOX · BATTERY BOX



# SIDE COVER · TOOL BOX · BATTERY BOX

Ref. No.	Parts No.	Description	Q'ty		Applicable Machine No.	Remarks
			250	350		
17- 1	360-21721-00-F7	COVER, side right	1			High Sparkle Blue
	360-21721-00-N8	COVER, side right	1			Golden Bronze
	360-21721-00-63	COVER, side right	1			Brilliant Red
	360-21721-00-G7	COVER, side right	1			Regal Blue
	360-21721-00-Y1	COVER, side right	1			Silver Dust
17- 2	90109-06005	BOLT (337-84752-00)	1	1		
17- 3	92901-08200	WASHER, plain	1	1		
17- 4	360-21782-00	MOLD, right	1	1		
17- 5	361-21783-30	EMBLEM 250	1			
	360-21783-20	EMBLEM 350	1			
17- 6	360-21717-01	DAMPER, side cover	2	2		
17- 7	278-21240-00-33	BATTERY BOX COMP.	1	1		Yamaha Black
17- 8	141-21717-00	DAMPER, side cover	4	4		
17- 9	92501-06025	SCREW, panhead	2	2		
17-10	92901-06100	WASHER, spring	2	2		
17-11	92501-06020	SCREW, panhead	1	1		
17-12	90201-06067	WASHER (116-28324-00)	2	2		
17-13	90480-14102	GROMMET (214-21717-00)	2	2		
17-14	90387-07390	COLLAR	2	2		
17-15	278-21170-00-33	TOOL BOX COMP.	1	1		Yamaha Black
17-16	278-21746-00	DAMPER, tool box	2	2		
17-17	190-23445-00	DAMPER, upper	1	1		
17-18	360-28100-11	TOOL ASS'Y	1	1		
17-19	360-21746-00	DAMPER, side cover 2	2	2		

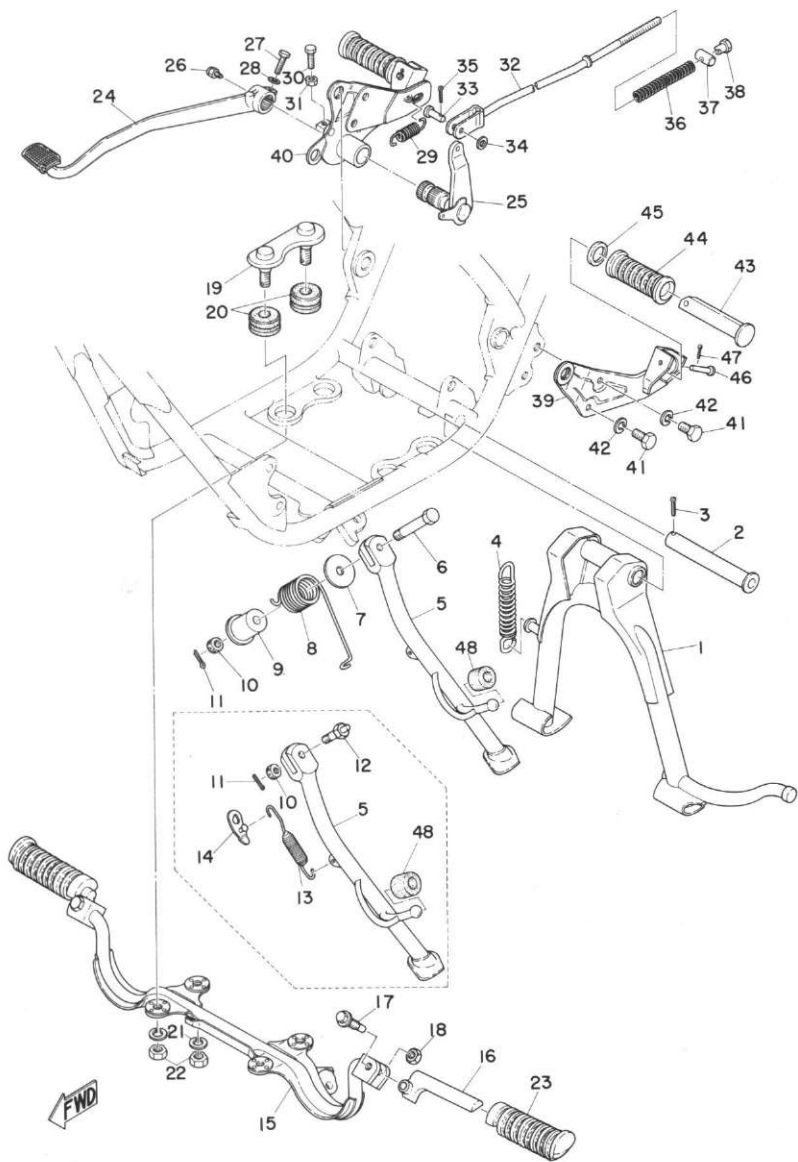
Fig. 18 REAR ARM · REAR CUSHION · CHAIN CASE



## REAR ARM · REAR CUSHION · CHAIN CASE

Ref. No.	Parts No.	Description	Q'ty		Applicable Machine No.	Remarks
			250	350		
18- 1	278-22110-00-33	REAR ARM COMP. ....	1	1		Yamaha Black
18- 2	156-22141-00	SHAFT, pivot .....	1	1		
18- 3	90387-16128	COLLAR (150-22126-00) .....	1	1		
18- 4	90386-22029	BUSHING (256-22123-01) .....	2	2		
18- 5	90387-16226	BUSHING (150-22124-00) .....	2	2		
18- 6	150-22128-00	COVER, thrust .....	2	2		
18- 7	240-22127-00	SHIM, rear arm (26-34-0.1) ..	U. R. U. R.			
18- 8	90170-14147	NUT, pivot shaft .....	2	2		
18- 9	93700-06001	NIPPLE, grease .....	2	2		
18-10	278-22210-21	REAR CUSHION ASS'Y .....	2	2		
18-11	90201-14218	WASHER, plate (135-22243-00)	2	2		
18-12	90201-10140	WASHER, plate (102-22243-00)	4	4		
18-13	90176-10013	NUT, cap .....	4	4		
18-14	360-22311-00-93	CASE, chain .....	1	1		
18-15	278-22332-00	DAMPER, chain case .....	1	1		
18-16	90387-07389	COLLAR (256-21544-00) .....	1	1		
18-17	90209-06034	WASHER (278-22316-00) .....	1	1		
18-18	92501-06020	SCREW, panhead .....	1	1		
18-19	92901-06100	WASHER, spring .....	1	1		
18-20	92503-06018	SCREW, panhead .....	1	1		
18-21	92901-06100	WASHER, spring .....	1	1		

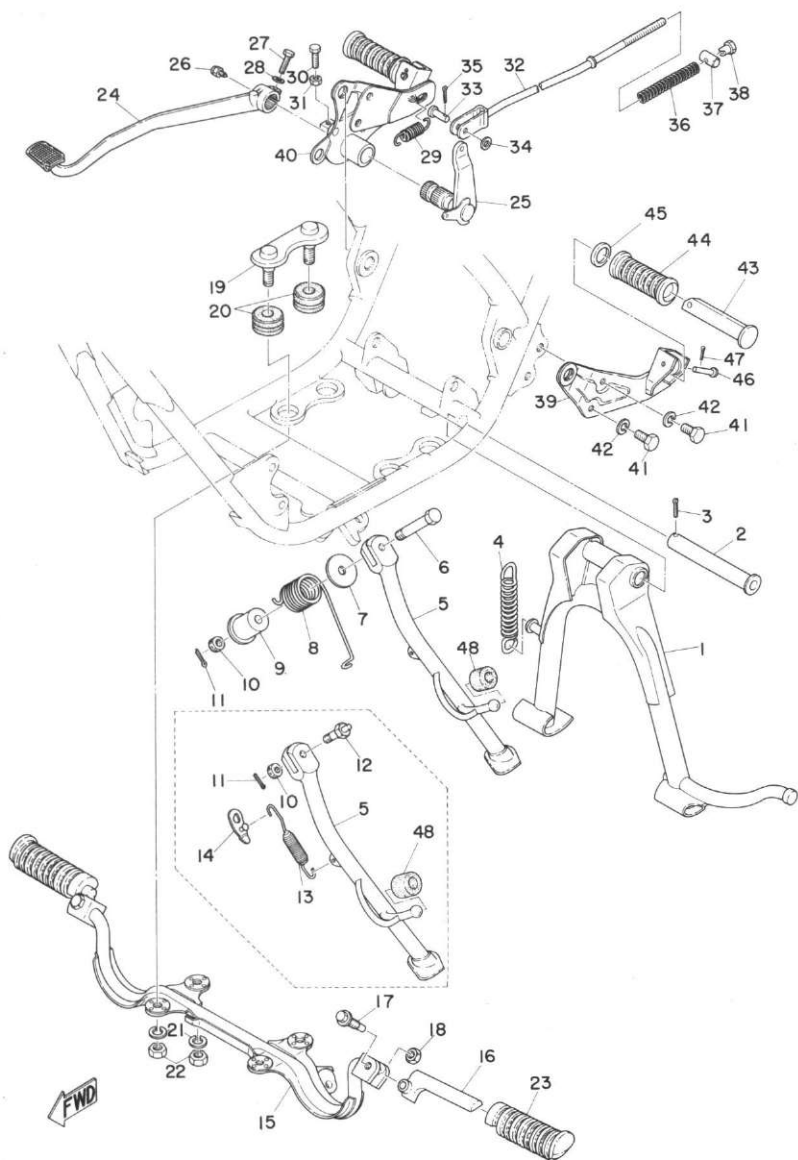
Fig. 19 STAND · FOOTREST · BRAKE PEDAL



# STAND · FOOTREST · BRAKE PEDAL

Ref. No.	Parts No.	Description	Q'ty	250 350											Remarks	
				FRANCE	HOLLAND	GERMANY	SWITZERLAND	BEIGIUM	SWEDEN	FINLAND	DENMARK	NORWAY	AUSTRIA	ENGLAND		ITALY
19- 1	278-27111-00	STAND, main	1 1	x	x	x	x	x	x	x	x	x	x	x	x	
19- 2	278-27112-00	SHAFT, main stand	1 1	x	x	x	x	x	x	x	x	x	x	x	x	
19- 3	91401-30025	PIN, cotter	1 1	x	x	x	x	x	x	x	x	x	x	x	x	
19- 4	90506-35058	SPRING, tension (278-27116-00)	1 1	x	x	x	x	x	x	x	x	x	x	x	x	
19- 5	278-27311-01	STAND, side	1 1	x	x	x	x	x	x	x	x	x	x	x	x	
19- 6	90102-10016	BOLT (278-27317-00)	1 1			x	x									
19- 7	90201-10405	WASHER (366-27322-00)	1 1			x	x									
19- 8	90508-32177	SPRING, torsion (360-27316-90)	1 1			x	x									
19- 9	90387-10255	COLLAR (360-27313-90)	1 1			x	x									
19-10	90171-10012	NUT, slotted	1 1	x	x	x	x	x	x	x	x	x	x	x	x	
19-11	91401-20025	PIN, cotter	1 1	x	x	x	x	x	x	x	x	x	x	x	x	
19-12	90109-10399	BOLT	1 1	x	x		x	x	x	x	x	x	x	x	x	
19-13	90507-25023	SPRING, tension	1 1	x	x		x	x	x	x	x	x	x	x	x	
19-14	360-27315-00	LINK, side stand	1 1	x	x		x	x	x	x	x	x	x	x	x	
19-15	278-27412-00	FOOTREST	1 1	x	x	x	x	x	x	x	x	x	x	x	x	
19-16	278-27451-00	FOOTREST	2 2	x	x	x	x	x	x	x	x	x	x	x	x	
19-17	90109-08376	BOLT	2 2	x	x	x	x	x	x	x	x	x	x	x	x	
19-18	90170-08158	NUT, hexagon	2 2	x	x	x	x	x	x	x	x	x	x	x	x	
19-19	278-27416-00	BOLT, footrest	2 2	x	x	x	x	x	x	x	x	x	x	x	x	
19-20	278-27414-01	DAMPER, footrest	4 4	x	x	x	x	x	x	x	x	x	x	x	x	
19-21	92901-10100	WASHER, spring	4 4	x	x	x	x	x	x	x	x	x	x	x	x	
19-22	95301-10600	NUT, hexagon	4 4	x	x	x	x	x	x	x	x	x	x	x	x	
19-23	156-27413-00	COVER, footrest	2 2	x	x	x	x	x	x	x	x	x	x	x	x	
19-24	278-27211-00-33	PEDAL, brake	1 1	x	x	x	x			x	x	x	x	x	x	Yamaha Black
	413-27211-90-33	PEDAL, brake	1 1							x						Yamaha Black
19-25	278-27212-00	SHAFT, brake	1 1	x	x	x	x	x	x	x	x	x	x	x	x	
19-26	93700-06001	NIPPLE, grease	1 1	x	x	x	x	x	x	x	x	x	x	x	x	

Fig. 19 STAND · FOOTREST · BRAKE PEDAL

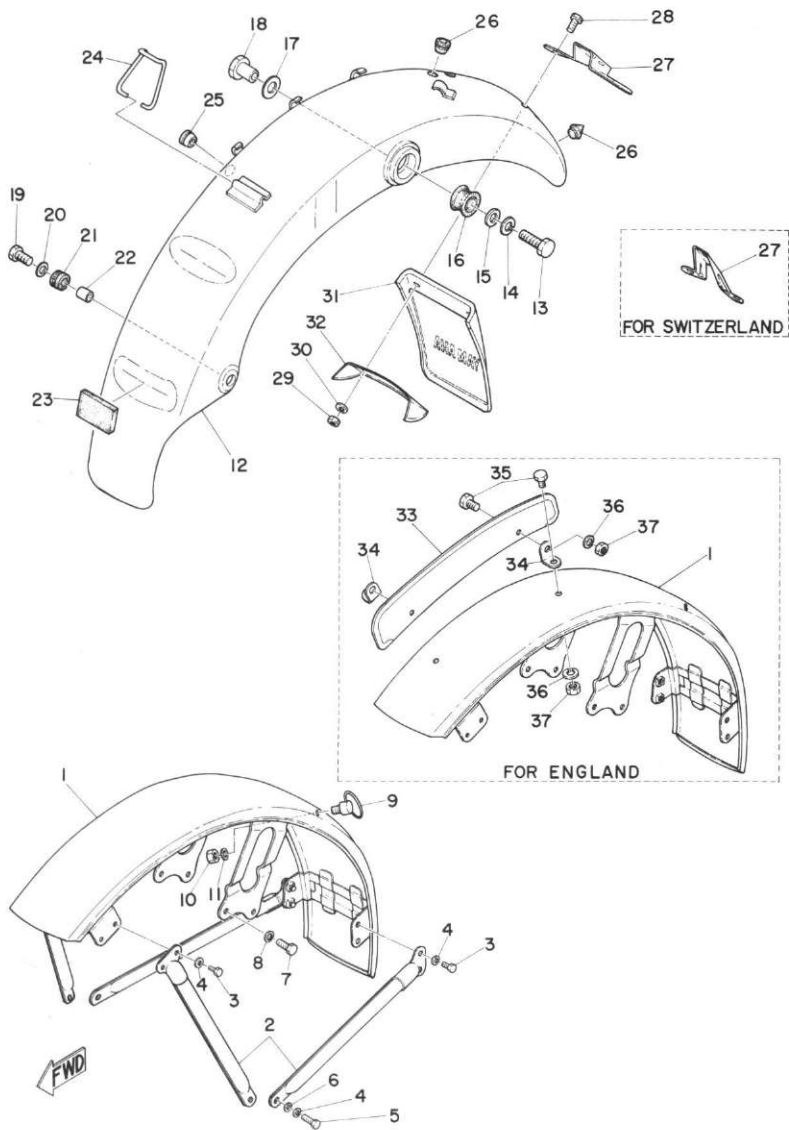


# STAND · FOOTREST · BRAKE PEDAL

Ref. No.	Parts No.	Description	Q'ty		FRANCE	HOLLAND	SWITZERLAND	W. GERMANY	BELGIUM	SWEDEN	FINLAND	DENMARK	NORWAY	AUSTRIA	ENGLAND	ITALY	Remarks
			250	350													
19-27	91201-06025	BOLT	1	1	x	x	x	x	x	x	x	x	x	x	x	x	
19-28	92901-06100	WASHER, spring	1	1	x	x	x	x	x	x	x	x	x	x	x	x	
19-29	90506-20042	SPRING, tension (146-27216-00)	1	1	x	x	x	x	x	x	x	x	x	x	x	x	
19-30	97301-06025	BOLT	1	1	x	x	x	x	x	x	x	x	x	x	x	x	
19-31	95301-06700	NUT	1	1	x	x	x	x	x	x	x	x	x	x	x	x	
19-32	276-27231-00	ROD, brake	1	1	x	x	x	x	x	x	x	x	x	x	x	x	
19-33	90240-06006	PIN (248-27228-00)	1	1	x	x	x	x	x	x	x	x	x	x	x	x	
19-34	92901-06200	WASHER, plain	1	1	x	x	x	x	x	x	x	x	x	x	x	x	
19-35	91401-25012	PIN, cotter	1	1	x	x	x	x	x	x	x	x	x	x	x	x	
19-36	90501-10245	SPRING (180-27236-00)	1	1	x	x	x	x	x	x	x	x	x	x	x	x	
19-37	90249-12008	PIN (156-27237-00)	1	1	x	x	x	x	x	x	x	x	x	x	x	x	
19-38	90179-06176	NUT (206-27238-00)	1	1	x	x	x	x	x	x	x	x	x	x	x	x	
19-39	360-21445-00	STAY, muffler left	1	1	x	x	x	x	x	x	x	x	x	x	x	x	
19-40	360-21446-00	STAY, muffler right	1	1	x	x	x	x	x	x	x	x	x	x	x	x	
19-41	97201-08020	BOLT	4	4	x	x	x	x	x	x	x	x	x	x	x	x	
19-42	92901-08100	WASHER, spring	4	4	x	x	x	x	x	x	x	x	x	x	x	x	
19-43	120-27431-00	ARM, rear footrest	2	2	x	x	x	x	x	x	x	x	x	x	x	x	
19-44	120-27433-00	COVER, rear footrest	2	2	x	x	x	x	x	x	x	x	x	x	x	x	
19-45	90201-20279	WASHER, special	2	2	x	x	x	x	x	x	x	x	x	x	x	x	
19-46	91501-06035	PIN, clevis	2	2	x	x	x	x	x	x	x	x	x	x	x	x	
19-47	91401-16012	PIN, cotter	2	2	x	x	x	x	x	x	x	x	x	x	x	x	
19-48	278-27314-00	STOPPER, side stand	1	1	x	x	x	x	x	x	x	x	x	x	x	x	



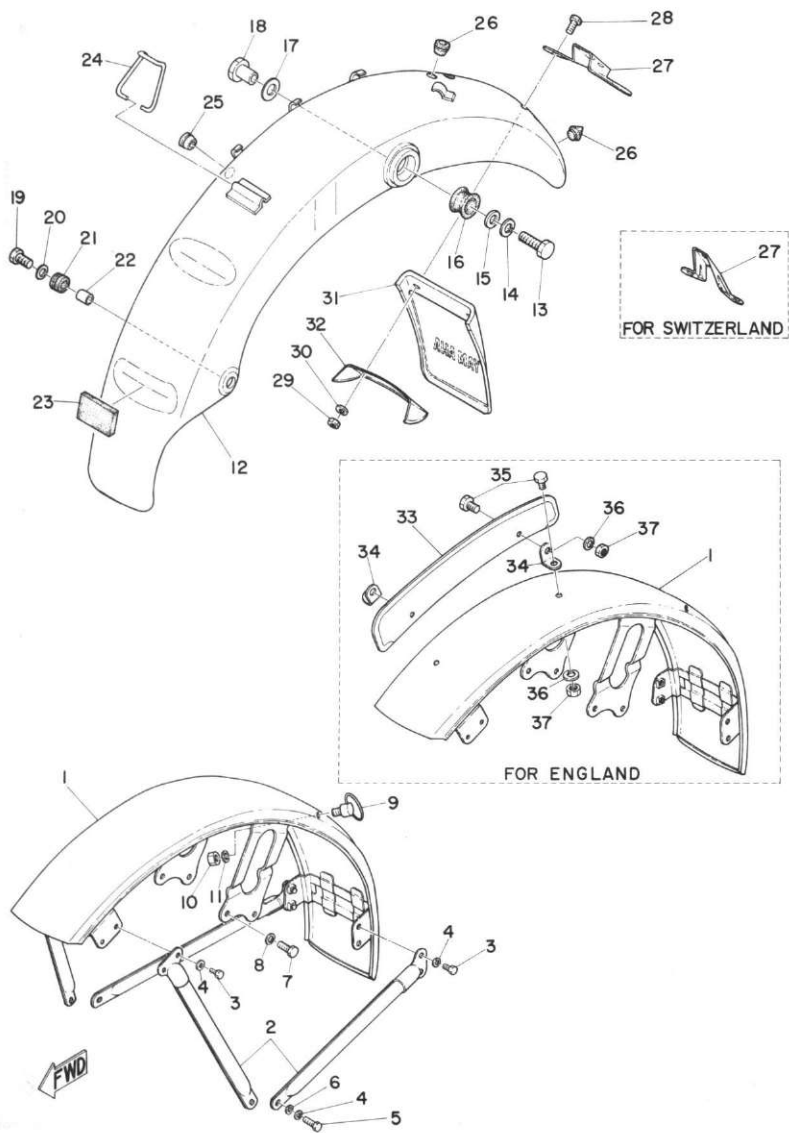
Fig. 20 FRONT FENDER · REAR FENDER



## FRONT FENDER · REAR FENDER

Ref. No.	Rarts No.	Description	Q'ty		FRANCE	HOLLAND	GERMANY	SWITZERLAND	BELGIUM	DENMARK	FINLAND	JAPAN	KOREA	NETHERLANDS	NORWAY	POLAND	SPAIN	SWEDEN	UNITED KINGDOM	USA	Remarks
			250	350																	
20- 1	351-21510-00-93	FRONT FENDER COMP.	1	1	x	x	x	x	x	x	x	x	x	x	x	x	x	x	x	x	
	360-21510-80-93	FRONT FENDER COMP.	1	1																	x
20- 2	351-21513-00	STAY, fender	4	4	x	x	x	x	x	x	x	x	x	x	x	x	x	x	x	x	
20- 3	97303-06012	BOLT, hexagon	8	8	x	x	x	x	x	x	x	x	x	x	x	x	x	x	x	x	
20- 4	92903-06100	WASHER, spring	12	12	x	x	x	x	x	x	x	x	x	x	x	x	x	x	x	x	
20- 5	97303-06015	BOLT	4	4	x	x	x	x	x	x	x	x	x	x	x	x	x	x	x	x	
20- 6	92903-06200	WASHER, plain	4	4	x	x	x	x	x	x	x	x	x	x	x	x	x	x	x	x	
20- 7	97201-08018	BOLT	4	4	x	x	x	x	x	x	x	x	x	x	x	x	x	x	x	x	
20- 8	92901-08100	WASHER, spring	4	4	x	x	x	x	x	x	x	x	x	x	x	x	x	x	x	x	
20- 9	174-21518-00-93	HOLDER, wire	1	1	x	x	x	x	x	x	x	x	x	x	x	x	x	x	x	x	
20-10	95301-06600	NUT, hexagon	1	1	x	x	x	x	x	x	x	x	x	x	x	x	x	x	x	x	
20-11	92901-06100	WASHER, spring	1	1	x	x	x	x	x	x	x	x	x	x	x	x	x	x	x	x	
20-12	351-21610-00-93	REAR FENDER COMP.	1	1	x	x															x
	360-21610-30-93	REAR FENDER COMP.	1	1																	x
	413-21610-01-93	REAR FENDER COMP.	1	1			x	x	x	x	x										
20-13	91203-10035	BOLT	2	2	x	x	x	x	x	x	x	x	x	x	x	x	x	x	x	x	
20-14	92901-10100	WASHER, spring	2	2	x	x	x	x	x	x	x	x	x	x	x	x	x	x	x	x	
20-15	92901-10200	WASHER, plain	2	2	x	x	x	x	x	x	x	x	x	x	x	x	x	x	x	x	
20-16	168-21639-00	DAMPER, rear	2	2	x	x	x	x	x	x	x	x	x	x	x	x	x	x	x	x	
20-17	90201-15239	WASHER, plate (168-21615-00)	2	2	x	x	x	x	x	x	x	x	x	x	x	x	x	x	x	x	
20-18	90179-10123	NUT (168-21635-00)	2	2	x	x	x	x	x	x	x	x	x	x	x	x	x	x	x	x	
20-19	97301-06020	BOLT, hexagon	2	2	x	x	x	x	x	x	x	x	x	x	x	x	x	x	x	x	
20-20	90201-06067	WASHER (116-28324-00)	2	2	x	x	x	x	x	x	x	x	x	x	x	x	x	x	x	x	
20-21	90480-14102	GROMMET (214-21717-00)	2	2	x	x	x	x	x	x	x	x	x	x	x	x	x	x	x	x	
20-22	90387-07390	COLLAR	2	2	x	x	x	x	x	x	x	x	x	x	x	x	x	x	x	x	
20-23	214-21268-00	SEAL, battery box	1	1	x	x	x	x	x	x	x	x	x	x	x	x	x	x	x	x	
20-24	278-21336-00	CLAMP, harness	1	1	x	x	x	x	x	x	x	x	x	x	x	x	x	x	x	x	
20-25	90480-12013	GROMMET (152-84518-00)	2	2	x	x	x	x	x	x	x	x	x	x	x	x	x	x	x	x	

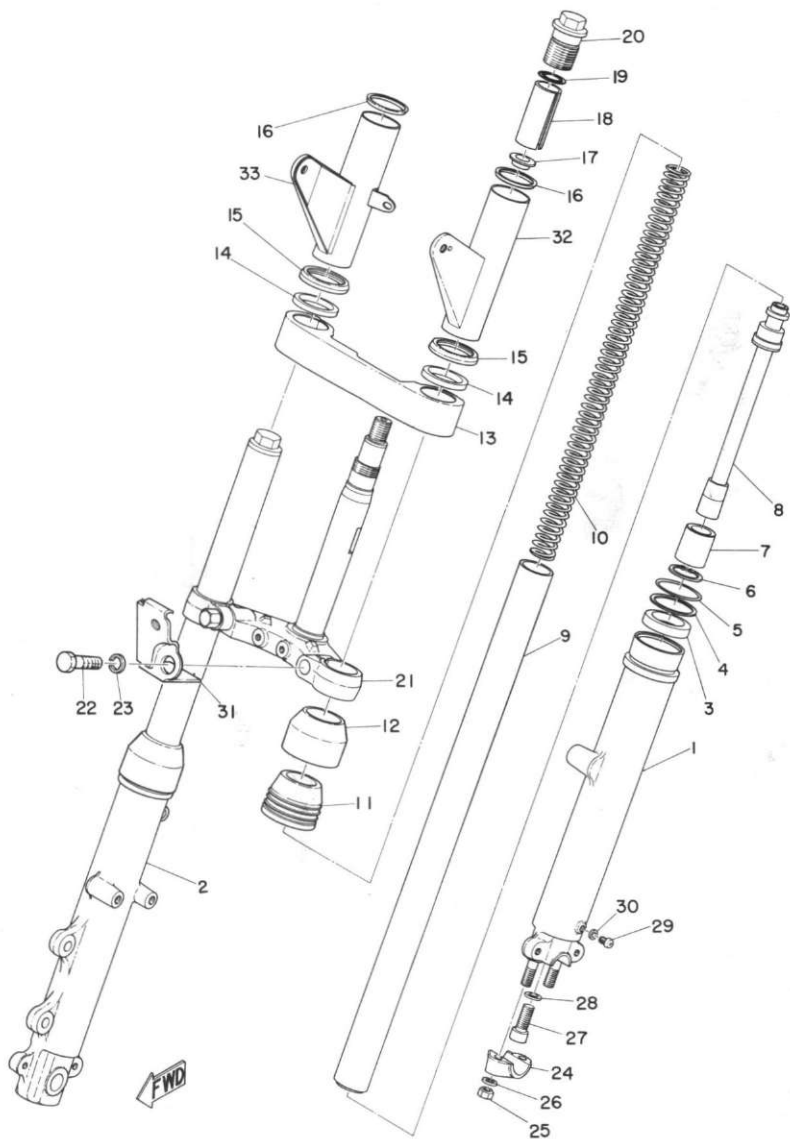
Fig. 20 FRONT FENDER · REAR FENDER



## FRONT FENDER · REAR FENDER

Ref. No.	Parts No.	Description	Q'ty		FRANCE	HOLLAND	WEST GERMANY	BELGIUM	SWITZERLAND	FINLAND	DENMARK	NORWAY	AUSTRIA	ENGLAND	ITALY	Remarks
			250	350												
20-26	170-21746-00	DAMPER, cleaner stop ..	1	1	x	x	x						x	x	x	
20-27	413-21641-00	BRACKET, reflector ...	1	1			x			x	x	x				
	521-21641-00	BRACKET, reflector ...	1	1			x									
20-28	97301-06015	BOLT, hexagon .....	2	2			x	x	x	x	x	x				
20-29	95301-06600	NUT, hexagon .....	2	2			x	x	x	x	x	x				
20-30	92901-06100	WASHER, spring .....	2	2			x	x	x	x	x	x				
20-31	413-21621-90	FLAP, rear fender ....	1	1						x	x	x				
20-32	413-21622-90	BAND, flap .....	1	1					x	x	x					
20-33	122-21582-81-33	PLATE, license .....	1	1										x		Yamaha Black
20-34	173-21581-80-93	STAY, plate fitting ....	2	2										x		
20-35	97303-06012	BOLT, hexagon .....	4	4										x		
20-36	92901-06100	WASHER, spring .....	4	4										x		
20-37	95303-06600	NUT, hexagon .....	4	4										x		

Fig. 21 FRONT FORK



## FRONT FORK

Ref. No.	Parts No.	Description	Q'ty		FRANCE	HOLLAND	SWITZERLAND	W. GERMANY	BELGIUM	SWEDEN	FINLAND	DENMARK	NORWAY	AUSTRIA	ENGLAND	ITALY	Remarks
			250	350													
21- 0-1	360-23101-A0	FRONT FORK ASS'Y	....	1 1	x				x	x				x			
	360-23101-30	FRONT FORK ASS'Y	....	1 1		x								x			
	360-23101-50	FRONT FORK ASS'Y	....	1 1	x		x	x			x				x	x	
21- 1	351-23126-50	. TUBE, outer left	....	1 1	x	x	x	x	x	x	x	x	x	x	x	x	
21- 2	351-23136-50	. TUBE, outer right	....	1 1	x	x	x	x	x	x	x	x	x	x	x	x	
21- 3	278-23145-51	. . OIL SEAL	.....	2 2	x	x	x	x	x	x	x	x	x	x	x	x	
21- 4	214-23146-00	. . WASHER	.....	2 2	x	x	x	x	x	x	x	x	x	x	x	x	
21- 5	214-23156-00	. . RING, snap	.....	2 2	x	x	x	x	x	x	x	x	x	x	x	x	
21- 6	93420-28025	. CIRCLIP (R-28)	.....	2 2	x	x	x	x	x	x	x	x	x	x	x	x	
21- 7	278-23171-50	. PISTON, front fork	...	2 2	x	x	x	x	x	x	x	x	x	x	x	x	
21- 8	278-23170-50	. CYLINDER, front fork	...	2 2	x	x	x	x	x	x	x	x	x	x	x	x	
21- 9	351-23124-50	. TUBE, inner	.....	2 2	x	x	x	x	x	x	x	x	x	x	x	x	
21-10	278-23141-50	. SPRING, fork	.....	2 2	x	x	x	x	x	x	x	x	x	x	x	x	
21-11	278-23144-50	. SEAL, dust	.....	2 2	x	x	x	x	x	x	x	x	x	x	x	x	
21-12	278-23148-50	. COVER, dust seal	.....	2 2	x		x	x			x	x	x	x	x		
21-13	360-23122-A0	. COVER, outer	.....	2 2		x				x	x						
	360-23122-51	. COVER, outer	.....	2 2	x		x	x	x			x	x	x	x		
21-14	214-23163-00	. PACKING	.....	2 2	x		x	x	x			x	x	x	x		
	291-23163-61	. PACKING	.....	2 2		x	x			x	x						
21-15	278-23116-50	. GUIDE, cover under	...	2 2	x	x	x	x	x	x	x	x	x	x	x	x	
21-16	321-23115-50	. GUIDE, cover upper	...	2 2	x	x	x	x	x	x	x	x	x	x	x	x	
21-17	278-23142-50	. SEAT, spring upper	...	2 2	x	x	x	x	x	x	x	x	x	x	x	x	
21-18	291-23118-60	. SPACER	.....	2 2	x	x	x	x	x	x	x	x	x	x	x	x	
21-19	214-23114-00	. PACKING	.....	2 2	x	x	x	x	x	x	x	x	x	x	x	x	
21-20	291-23111-60	. BOLT, cap	.....	2 2	x	x	x	x	x	x	x	x	x	x	x	x	
21-21	360-23340-30-33	. UNDERBRACKET COMP.		1 1		x	x			x	x						Yamaha Black
	360-23340-50-33	. UNDERBRACKET COMP.		1 1	x		x					x	x	x	x		Yamaha Black
21-22	306-23346-60	. BOLT, underbracket	...	2 2	x	x	x	x	x	x	x	x	x	x	x	x	

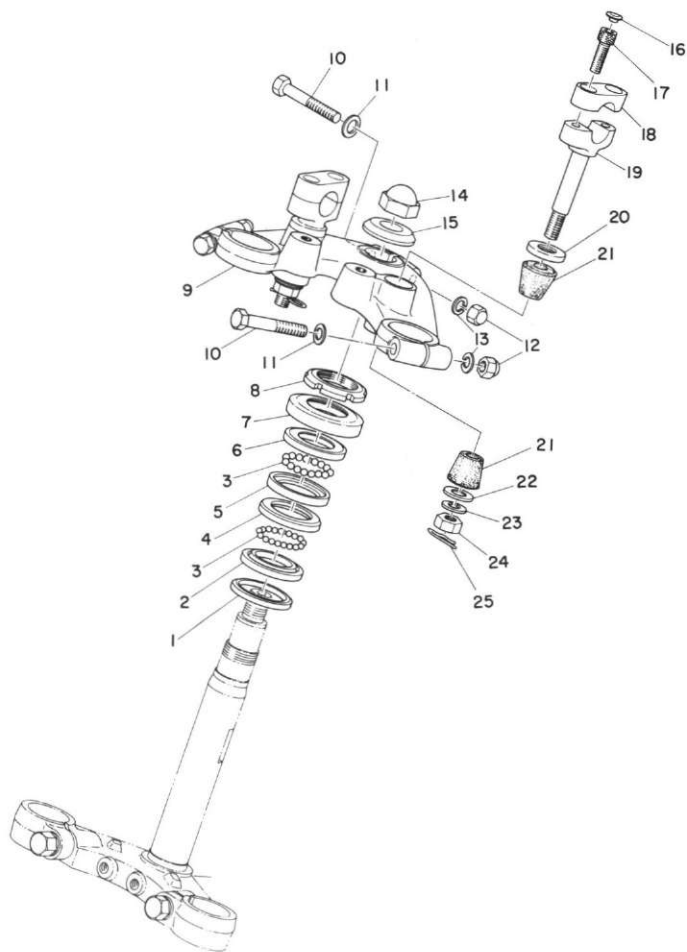


## FRONT FORK

Ref. No.	Parts No.	Description	Q'ty												Remarks		
				250	350	FRANCE	HOLLAND	W. GERMANY	SWITZERLAND	BELGIUM	SWEDEN	FINLAND	DENMARK	NORWAY		AUSTRIA	HOLLAND
21-23	92901-12100	. WASHER, spring	2 2	x	x	x	x	x	x	x	x	x	x	x	x	x	
21-24	306-23167-60	. HOLDER, axle	1 1	x	x	x	x	x	x	x	x	x	x	x	x	x	
21-25	90185-08054	. NUT	2 2	x	x	x	x	x	x	x	x	x	x	x	x	x	
21-26	90201-08089	. WASHER (304-13578-00)	2 2	x	x	x	x	x	x	x	x	x	x	x	x	x	
21-27	278-23181-50	. BOLT	2 2	x	x	x	x	x	x	x	x	x	x	x	x	x	
21-28	278-23158-50	. PACKING	2 2	x	x	x	x	x	x	x	x	x	x	x	x	x	
21-29	122-23119-01	. PLUG, drain	2 2	x	x	x	x	x	x	x	x	x	x	x	x	x	
21-30	122-23129-00	. GASKET, drain plug	2 2	x	x	x	x	x	x	x	x	x	x	x	x	x	
21-31	360-21343-A0	. BRACKET, horn	1 1		x						x	x					
21-32	360-23121-50-F7 COVER, upper left		1	x	x	x	x	x	x	x	x	x	x	x	x	x	High Sparkle Blue
	360-23121-50-N8 COVER, upper left		1	x	x	x	x	x	x	x	x	x	x	x	x	x	Golden Bronze
	360-23121-50-63 COVER, upper left		1	x	x	x	x	x	x	x	x	x	x	x	x	x	Brilliant Red
	360-23121-50-G7 COVER, upper left		1	x	x	x	x	x	x	x	x	x	x	x	x	x	Regal Blue
	360-23121-50-Y1 COVER, upper left		1	x	x	x	x	x	x	x	x	x	x	x	x	x	Silver Dust
21-33	360-23131-50-F7 COVER, upper right		1	x	x	x	x	x	x	x	x	x	x	x	x	x	High Sparkle Blue
	360-23131-50-N8 COVER, upper right		1	x	x	x	x	x	x	x	x	x	x	x	x	x	Golden Bronze
	360-23131-50-63 COVER, upper right		1	x	x	x	x	x	x	x	x	x	x	x	x	x	Brilliant Red
	360-23131-50-G7 COVER, upper right		1	x	x	x	x	x	x	x	x	x	x	x	x	x	Regal Blue
	360-23131-50-Y1 COVER, upper right		1	x	x	x	x	x	x	x	x	x	x	x	x	x	Silver Dust



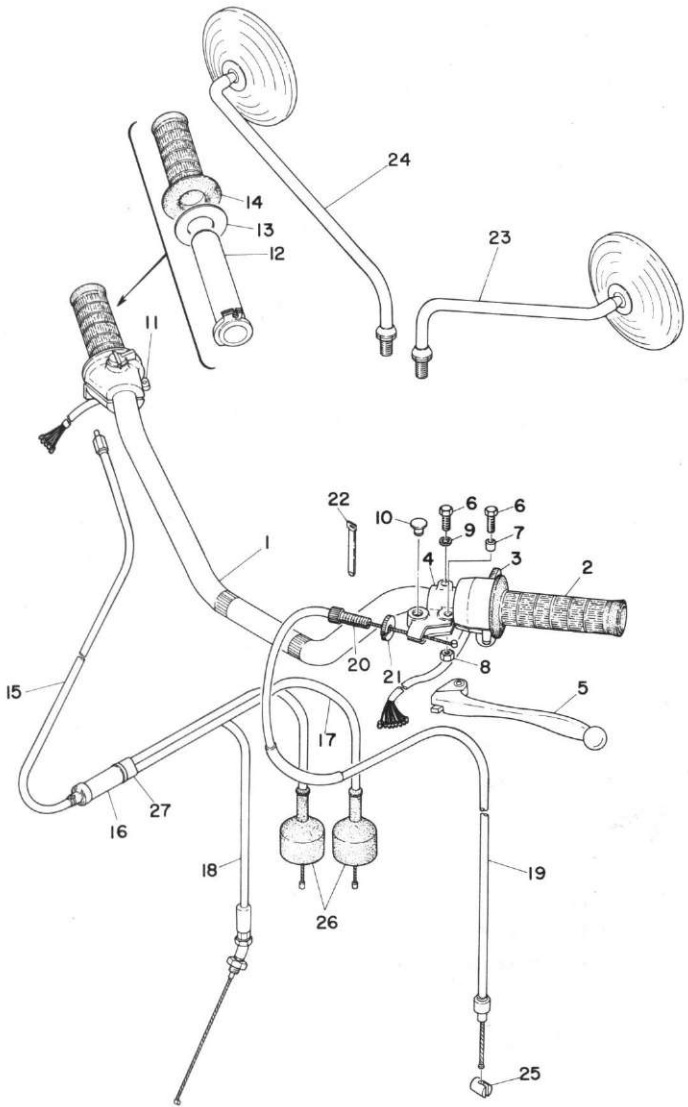
Fig. 22 STEERING



# STEERING

Ref. No.	Parts No.	Description	Q'ty		Applicable Machine No.	Remarks
			250	350		
22- 1	164-23462-00	SEAL, dust .....	1	1		
22- 2	156-23411-00	RACE, ball 1 .....	1	1		
22- 3	93501-04011	BALL (1/4 inch) .....	38	38		
22- 4	156-23412-00	RACE, ball 2 .....	1	1		
22- 5	183-23412-00	RACE, ball 2 .....	1	1		
22- 6	183-23411-00	RACE, ball 1 .....	1	1		
22- 7	136-23415-00	COVER, ball race .....	1	1		
22- 8	90179-25033	NUT (137-23454-00) .....	1	1		
22- 9	360-23435-00-98	CROWN, handle .....	1	1		Frosting Black
22-10	97303-08055	BOLT, hexagon .....	3	3		
22-11	90201-08083	WASHER, plate (156-27226-00) .....	3	3		
22-12	95303-08800	NUT, cap .....	3	3		
22-13	92901-08100	WASHER, spring .....	3	3		
22-14	90176-16016	NUT, cap .....	1	1		
22-15	90209-17057	WASHER (174-23443-00) .....	1	1		
22-16	341-23469-00	CAP, bolt .....	4	4		
22-17	90110-08008	BOLT, fitting (360-23452-00) ...	4	4		
22-18	360-23441-00-98	HOLDER, handle upper .....	2	2		Frosting Black
22-19	256-23442-00-98	HOLDER, handle under .....	2	2		Frosting Black
22-20	90209-12102	WASHER (278-23448-00) .....	2	2		
22-21	90385-12020	BUSHING (278-23434-00) .....	4	4		
22-22	90201-10139	WASHER, plate (135-22244-00) .....	2	2		
22-23	92901-10100	WASHER, spring .....	2	2		
22-24	95301-10700	NUT, hexagon .....	2	2		
22-25	90468-12006	CLIP (136-25375-00) .....	2	2		

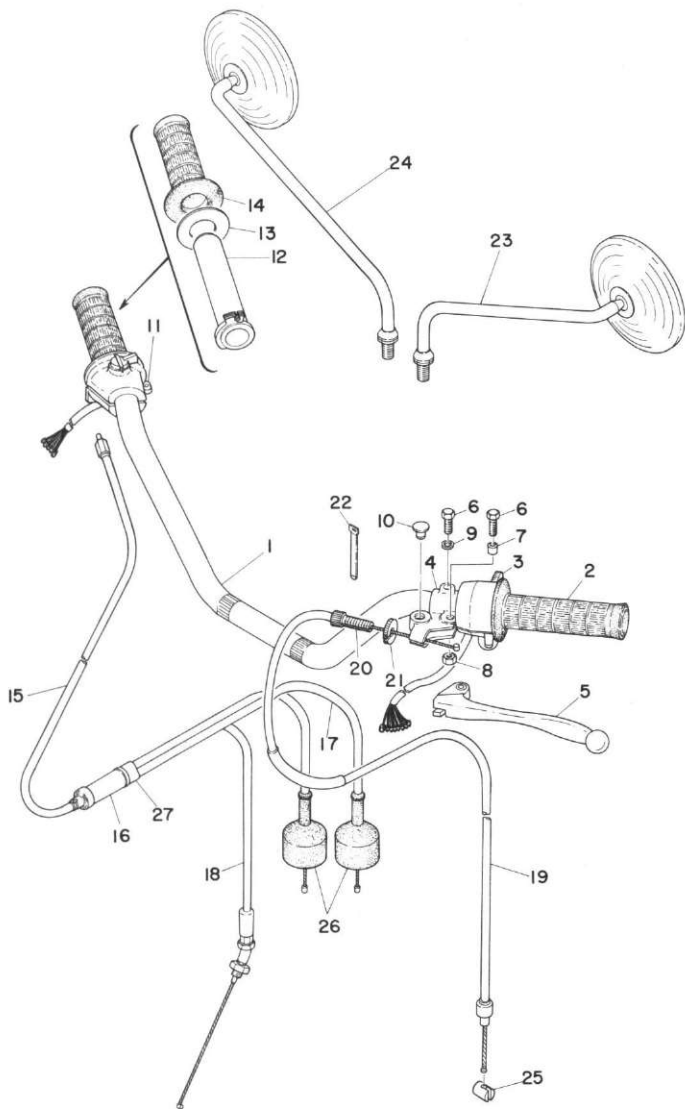
Fig. 23 HANDLE · WIRE



# HANDLE · WIRE

Ref. No.	Parts No.	Description	Q'ty												Remarks			
				FRANCE	HOLLAND	SWITZERLAND	W. GERMANY	SWITZERLAND	SWEDEN	FINLAND	DENMARK	NORWAY	AUSTRIA	ENGLAND		ITALY		
			250 350															
23- 1	278-26111-00	HANDLE .....	1 1	x	x	x	x	x	x	x	x	x	x	x	x	x		
	413-26111-20	HANDLE .....	1 1	x	x	x	x	x	x	x	x	x	x	x	x	x	Bar Handle Alternate Parts	
23- 2	235-26241-10	GRIP, left .....	1 1	x	x	x	x	x	x	x	x	x	x	x	x	x		
23- 3	360-83972-02	SWITCH, handle 4 .....	1 1	x	x	x	x	x	x	x	x	x	x	x	x	x		
	360-83972-21	SWITCH, handle 4 .....	1 1	x	x	x	x	x	x	x	x	x	x	x	x	x	Bar Handle Alternate Parts	
23- 0-1	360-82910-00	LEVER HOLDER ASS'Y, left .....	1 1	x	x	x	x	x	x	x	x	x	x	x	x	x		
23- 4	341-82911-00	. HOLDER, lever left ...	1 1	x	x	x	x	x	x	x	x	x	x	x	x	x		
23- 5	214-83912-00	. LEVER, left .....	1 1	x	x	x	x	x	x	x	x	x	x	x	x	x		
23- 6	91203-06020	. BOLT .....	2 2	x	x	x	x	x	x	x	x	x	x	x	x	x		
23- 7	214-83913-00	. COLLAR, lever .....	1 1	x	x	x	x	x	x	x	x	x	x	x	x	x		
23- 8	98801-06300	. NUT .....	1 1	x	x	x	x	x	x	x	x	x	x	x	x	x		
23- 9	92903-06100	. WASHER, spring .....	1 1	x	x	x	x	x	x	x	x	x	x	x	x	x		
23-10	90338-09012	PLUG, blind (341-26329-00)	1 1	x	x	x	x	x	x	x	x	x	x	x	x	x		
23-11	360-83975-02	SWITCH, handle 2 .....	1 1	x	x	x	x	x	x	x	x	x	x	x	x	x		
	360-83975-21	SWITCH, handle 2 .....	1 1	x	x	x	x	x	x	x	x	x	x	x	x	x	Bar Handle Alternate Parts	
23-12	214-26243-00	TUBE, guide .....	1 1	x	x	x	x	x	x	x	x	x	x	x	x	x		
23-13	278-26249-00	RING, leaf .....	1 1	x	x	x	x	x	x	x	x	x	x	x	x	x		
23-14	235-26242-10	GRIP, right .....	1 1	x	x	x	x	x	x	x	x	x	x	x	x	x		
23-15	360-26311-01	WIRE, throttle 1 (640mm)	1 1	x	x	x	x	x	x	x	x	x	x	x	x	x		
23-16	360-26261-01	CYLINDER, wire .....	1 1	x	x	x	x	x	x	x	x	x	x	x	x	x		
23-17	360-26312-01	WIRE, throttle 2 (210mm)	2 2	x	x	x	x	x	x	x	x	x	x	x	x	x		
23-18	360-26321-00	WIRE, pump (325mm) ...	1 1	x	x	x	x	x	x	x	x	x	x	x	x	x		
23-19	360-26335-00	WIRE, clutch (1050mm) ..	1 1	x	x	x	x	x	x	x	x	x	x	x	x	x		
	413-26335-20	WIRE, clutch (985mm) ..	1 1	x	x	x	x	x	x	x	x	x	x	x	x	x	Bar Handle Alternate Parts	
23-20	90123-08046	BOLT (168-26337-00) ...	1 1	x	x	x	x	x	x	x	x	x	x	x	x	x		
23-21	90179-08148	NUT, adjusting (168-26344-00) .....	1 1	x	x	x	x	x	x	x	x	x	x	x	x	x		
23-22	168-83936-01	BAND, switch cord .....	4 4	x	x	x	x	x	x	x	x	x	x	x	x	x		

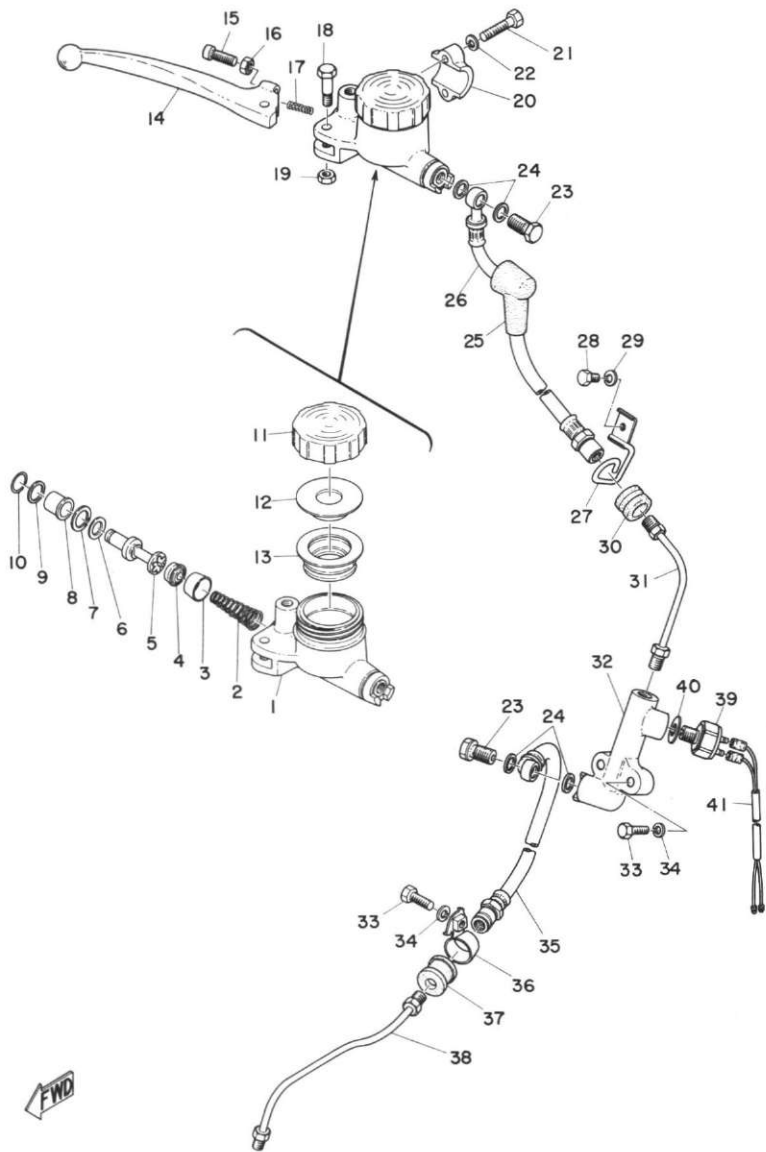
Fig. 23 HANDLE · WIRE



## HANDLE · WIRE

Ref. No.	Parts No.	Description	Q'ty		FRANCE	HOLLAND	GERMANY	SWITZERLAND	BELGIUM	SWEDEN	FINLAND	DENMARK	NORWAY	AUSTRIA	ENGLAND	ITALY	Remarks
			250	350													
23-23	341-26290-51	BACK MIRROR ASS'Y, left	1	1	x	x	x	x	x	x	x	x	x	x	x	x	(England Alternate Parts)
	253-26290-20	BACK MIRROR ASS'Y, left	1	1	x												*
23-24	341-26290-61	BACK MIRROR ASS'Y, right	1	1	x	x	x	x	x	x	x	x	x	x	x	x	Alternate Parts (England STD)
23-25	164-26363-00	END, clutch wire	1	1	x	x	x	x	x	x	x	x	x	x	x	x	
23-26	360-26329-02	CAP, rubber	2	2	x	x	x	x	x	x	x	x	x	x	x	x	
23-27	360-26262-00	CAP, cylinder	1	1	x	x	x	x	x	x	x	x	x	x	x	x	

Fig. 24 MASTER CYLINDER · BRAKE HOSE

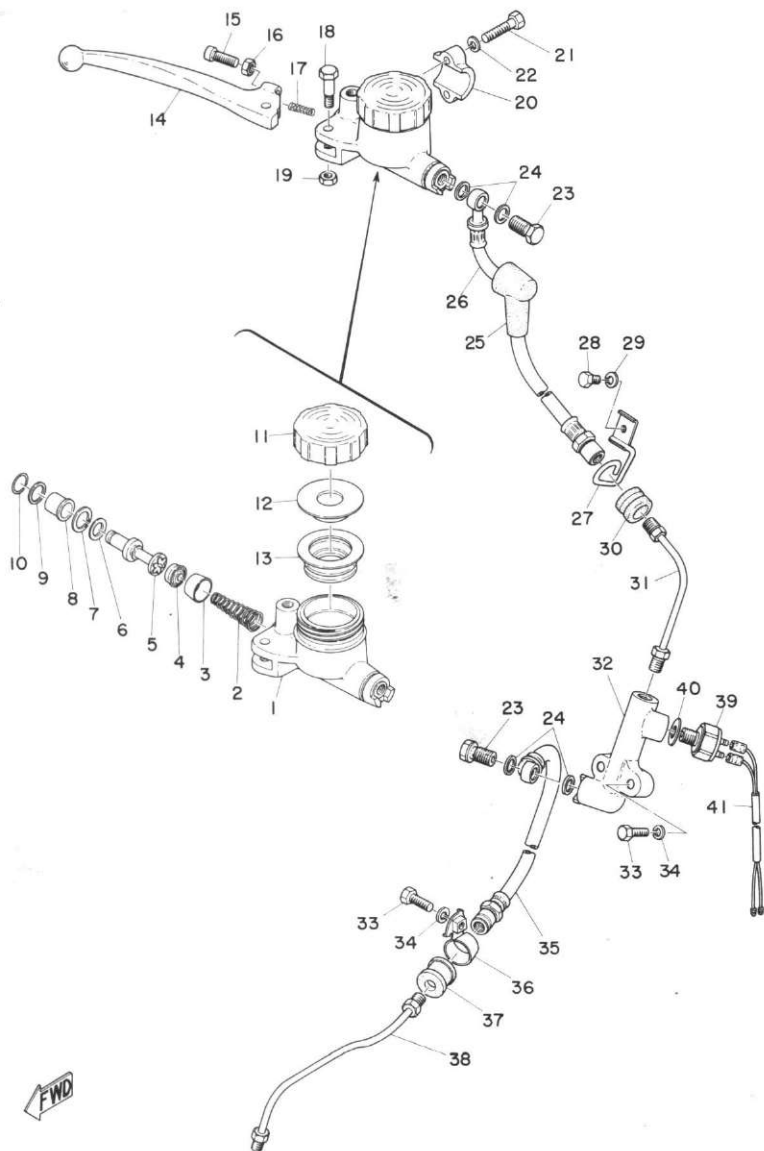


# MASTER CYLINDER · BRAKE HOSE

Ref. No.	Parts No.	Description	Q'ty												Remarks		
				250	350	FRANCE	HOLLAND	GERMANY	SWITZERLAND	BELOUM	SWEDEN	FINLAND	DENMARK	NORWAY		AUSTRIA	ENGLAND
24- 0-1	413-25850-20	MASTER CYLINDER ASS'Y	1 1	x	x	x	x	x	x	x	x	x	x	x	x	x	
24- 0-2	341-20000-10	. CYLINDER KIT, master cylinder (Ref. No. 2~10)	1 1	x	x	x	x	x	x	x	x	x	x	x	x	x	
24-11	341-25852-00	. CAP, reservoir	1 1	x	x	x	x	x	x	x	x	x	x	x	x	x	
24-12	341-25855-30	. BUSHING, diaphragm	1 1	x	x	x	x	x	x	x	x	x	x	x	x	x	
24-13	341-25854-00	. DIAPHRAGM, reservoir	1 1	x	x	x	x	x	x	x	x	x	x	x	x	x	
24-14	360-83922-01	LEVER, right	1 1	x	x	x	x	x	x	x	x	x	x	x	x	x	
24-15	90146-06005	SCREW (306-83928-01)	1 1	x	x	x	x	x	x	x	x	x	x	x	x	x	
24-16	90170-06010	NUT, adjusting (306-83927-00)	1 1	x	x	x	x	x	x	x	x	x	x	x	x	x	
24-17	90501-10312	SPRING (306-83924-00)	1 1	x	x	x	x	x	x	x	x	x	x	x	x	x	
24-18	341-83925-00	SCREW, lever fitting	1 1	x	x	x	x	x	x	x	x	x	x	x	x	x	
24-19	98801-06300	NUT	1 1	x	x	x	x	x	x	x	x	x	x	x	x	x	
24-20	341-25867-00	BRACKET, master	2 1	x	x	x	x	x	x	x	x	x	x	x	x	x	
24-21	91201-06025	BOLT	2 2	x	x	x	x	x	x	x	x	x	x	x	x	x	
24-22	92901-06100	WASHER, spring	2 2	x	x	x	x	x	x	x	x	x	x	x	x	x	
24-23	90401-10034	BOLT, union	2 2	x	x	x	x	x	x	x	x	x	x	x	x	x	
24-24	90201-10118	WASHER, plate (306-25878-00)	4 4	x	x	x	x	x	x	x	x	x	x	x	x	x	
24-25	360-25862-00	BOOT, master cylinder	1 1	x	x	x	x	x	x	x	x	x	x	x	x	x	
	341-25862-20	BOOT, master cylinder	1 1	x	x	x	x	x	x	x	x	x	x	x	x	x	Bar Handle Alternate Parts
24-26	360-25872-03	HOSE, brake 1	1 1	x	x	x	x	x	x	x	x	x	x	x	x	x	
	341-25872-22	HOSE, brake 1	1 1	x	x	x	x	x	x	x	x	x	x	x	x	x	Bar Handle Alternate Parts
24-27	351-25887-01	HOLDER, brake hose 3	1 1	x	x	x	x	x	x	x	x	x	x	x	x	x	
24-28	91201-06012	BOLT	1 1	x	x	x	x	x	x	x	x	x	x	x	x	x	
24-29	92901-06100	WASHER, spring	1 1	x	x	x	x	x	x	x	x	x	x	x	x	x	
24-30	341-25881-00	RUBBER, brake hose	1 1	x	x	x	x	x	x	x	x	x	x	x	x	x	
24-31	351-25883-01	PIPE, brake 3	1 1	x	x	x	x	x	x	x	x	x	x	x	x	x	
	360-25883-40	PIPE, brake 3	1 1									x		x			
24-32	341-25885-03	JOINT	1 1	x	x	x	x	x	x	x	x	x	x	x	x	x	



Fig. 24 MASTER CYLINDER · BRAKE HOSE

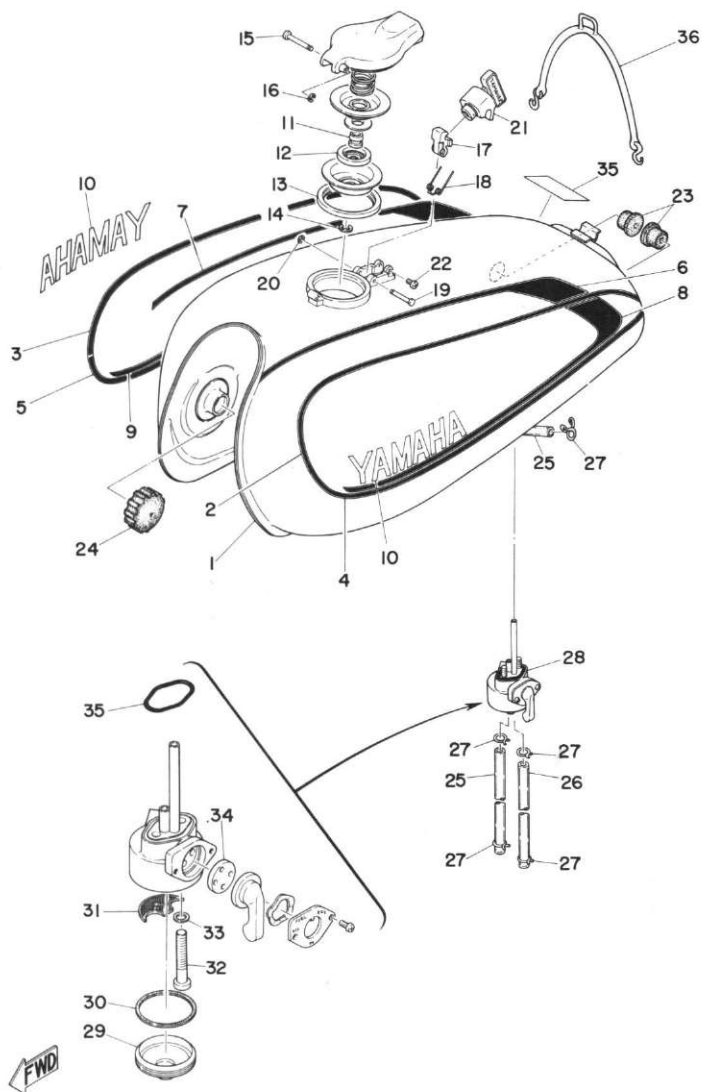


FWD

# MASTER CYLINDER · BRAKE HOSE

Ref. No.	Parts No.	Description	Q'ty												Remarks				
				250	350	FRANCE	HOLLAND	W. GERMANY	SWITZERLAND	BELGIUM	SWEDEN	FINLAND	DENMARK	NORWAY		AUSTRIA	ENGLAND	ITALY	
24-33	91201-06025	BOLT .....	2 2	x	x	x	x	x	x	x	x	x	x	x	x	x	x	x	
24-34	92901-06100	WASHER, spring .....	2 2	x	x	x	x	x	x	x	x	x	x	x	x	x	x	x	
24-35	351-25873-03	HOSE, brake 2 .....	1 1	x	x	x	x	x	x	x	x	x	x	x	x	x	x	x	
24-36	306-25876-00	HOLDER, brake hose 2 ..	1 1	x	x	x	x	x	x	x	x	x	x	x	x	x	x	x	
24-37	306-25881-00	RUBBER, brake hose ...	1 1	x	x	x	x	x	x	x	x	x	x	x	x	x	x	x	
24-38	306-25871-00	PIPE, brake .....	1 1	x	x	x	x	x						x	x		x	x	
	306-25871-40	PIPE, brake .....	1 1										x		x				
24-39	341-83980-30	FRONT STOP SWITCH ASS'Y .....	1 1	x	x	x	x	x	x	x	x	x	x	x	x	x	x	x	
24-40	90201-10128	WASHER, plate (341-83909-00) .....	1 1	x	x	x	x	x	x	x	x	x	x	x	x	x	x	x	
24-41	351-82531-00	WIRE, lead .....	1 1	x	x	x	x	x	x	x	x	x	x	x	x	x	x	x	

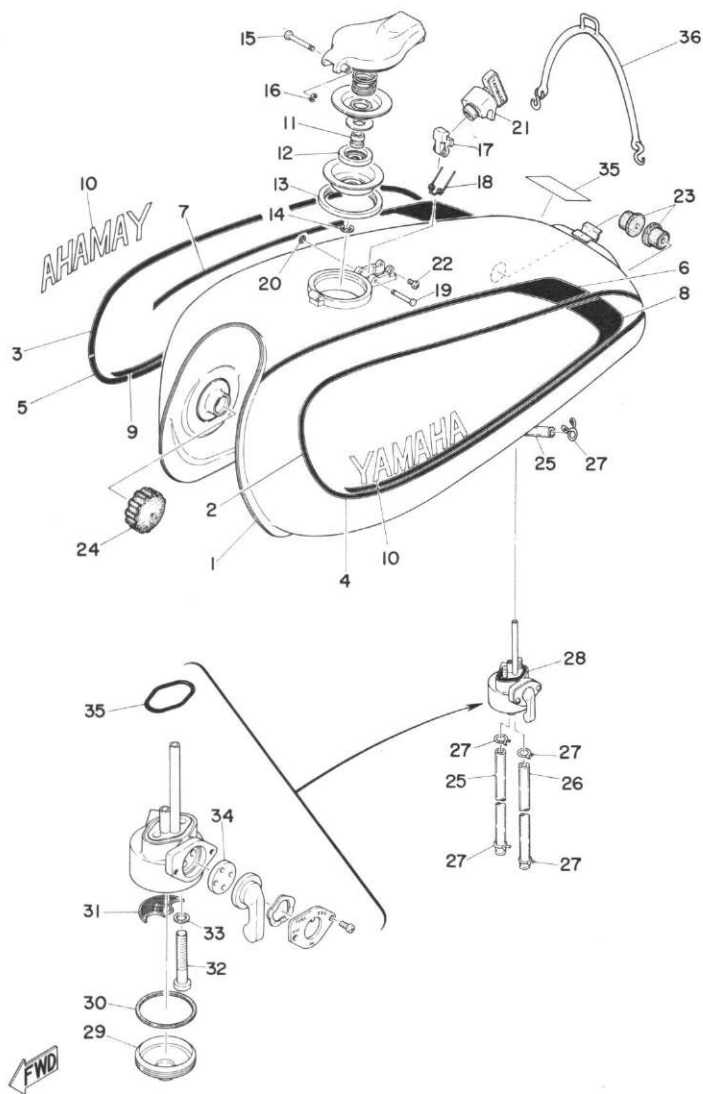
Fig. 25 FUEL TANK



# FUEL TANK

Ref. No.	Rarts No.	Description	Q'ty		FRANCE	HOLLAND	W. GERMANY	SWITZERLAND	BELGIUM	SWEDEN	FINLAND	DENMARK	NORWAY	AUSTRIA	ENGLAND	ITALY	Remarks
			250	350													
25- 1	360-24110-12-X9	FUEL TANK COMP. ....	1		x	x	x	x	x	x	x	x	x	x	x	x	Brilliant Red
	360-24110-12-W2	FUEL TANK COMP. ....	1		x	x	x	x	x		x	x	x	x	x	x	High Sparkle Blue
	360-24110-12-W6	FUEL TANK COMP. ....	1		x	x	x	x	x		x	x	x	x	x	x	Golden Bronze
	360-24110-12-W4	FUEL TANK COMP. ....	1		x	x	x	x	x		x	x	x	x	x	x	Regal Blue
	360-24110-12-W5	FUEL TANK COMP. ....	1		x	x	x	x	x		x	x	x	x	x	x	Silver Dust
	521-24110-90-03	FUEL TANK COMP. ....	1							x							High Sparkle Blue
	521-24110-90-04	FUEL TANK COMP. ....	1							x							Golden Bronze
	521-24110-90-05	FUEL TANK COMP. ....	1							x							Brilliant Red
	521-24110-90-01	FUEL TANK COMP. ....	1							x							Regal Blue
	521-24110-90-02	FUEL TANK COMP. ....	1							x							Silver Dust
25- 2	360-24244-30	. GRAPHIC, fuel tank upper left .....	1	1	x	x	x	x	x	x	x	x	x	x	x	x	
25- 3	360-24245-30	. GRAPHIC, fuel tank upper right .....	1	1	x	x	x	x	x	x	x	x	x	x	x	x	
25- 4	360-24246-30	. GRAPHIC, fuel tank under left .....	1	1	x	x	x	x	x	x	x	x	x	x	x	x	
25- 5	360-24247-30	. GRAPHIC, fuel tank under right .....	1	1	x	x	x	x	x	x	x	x	x	x	x	x	
25- 6	360-24248-30	. GRAPHIC, fuel tank middle upper left ....	1	1	x	x	x	x	x	x	x	x	x	x	x	x	
25- 7	360-24249-30	. GRAPHIC, fuel tank middle upper right ....	1	1	x	x	x	x	x	x	x	x	x	x	x	x	
25- 8	360-24254-30	. GRAPHIC, fuel tank middle under left ....	1	1	x	x	x	x	x	x	x	x	x	x	x	x	
25- 9	360-24255-30	. GRAPHIC, fuel tank middle under right ....	1	1	x	x	x	x	x	x	x	x	x	x	x	x	
25-10	322-24161-00	. EMBLEM, fuel tank ...	2	2	x	x	x	x	x	x	x	x	x	x	x	x	
25- 0-1	341-24653-00	CAP ASS'Y .....	1	1	x	x	x	x	x	x	x	x	x	x	x	x	
25-11	308-24642-00	. GASKET, cap 2 .....	1	1	x	x	x	x	x	x	x	x	x	x	x	x	
25-12	308-24641-00	. GASKET, cap 1 .....	1	1	x	x	x	x	x	x	x	x	x	x	x	x	
25-13	341-24612-01	. PACKING, cap .....	1	1	x	x	x	x	x	x	x	x	x	x	x	x	
25-14	93430-06005	. CIRCLIP (E-6) .....	1	1	x	x	x	x	x	x	x	x	x	x	x	x	

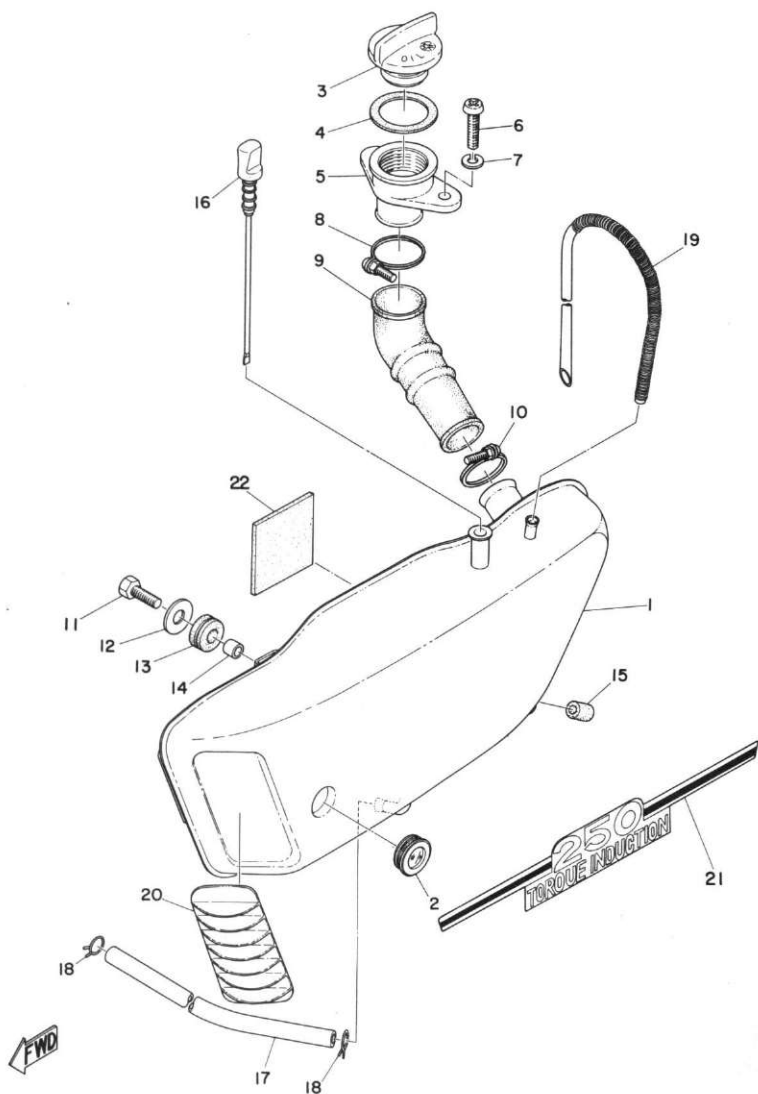
Fig. 25 FUEL TANK



# FUEL TANK

Ref. No.	Parts No.	Description	Q'ty		TANKE	ENGLAND	FRANCE	GERMANY	NETHERLANDS	SPAIN	SWITZERLAND	BELGIUM	DENMARK	FINLAND	GREAT BRITAIN	IRELAND	ITALY	Remarks
			250	350														
25-15	90249-03087	PIN 1 (308-24623-00) ...	1	1	x	x	x	x	x	x	x	x	x	x	x	x	x	
25-16	93430-02001	CIRCLIP (E-2) .....	1	1	x	x	x	x	x	x	x	x	x	x	x	x	x	
25-17	341-24628-00	HOOK .....	1	1	x	x	x	x	x	x	x	x	x	x	x	x	x	
25-18	90508-07235	SPRING (341-24637-00) ..	1	1	x	x	x	x	x	x	x	x	x	x	x	x	x	
25-19	90249-03088	PIN 2 (308-24624-00) ...	1	1	x	x	x	x	x	x	x	x	x	x	x	x	x	
25-20	93430-02001	CIRCLIP (E-2) .....	1	1	x	x	x	x	x	x	x	x	x	x	x	x	x	
25-21	341-24602-01	KEY COMP. ....	1	1	x	x	x	x	x	x	x	x	x	x	x	x	x	
25-22	92501-04018	SCREW, panhead .....	1	1	x	x	x	x	x	x	x	x	x	x	x	x	x	
25-23	122-24182-01	DAMPER, locating 2 ...	2	2	x	x	x	x	x	x	x	x	x	x	x	x	x	
25-24	278-24181-00	DAMPER, locating ...	2	2	x	x	x	x	x	x	x	x	x	x	x	x	x	
25-25	90445-09094	HOSE (168-24312-00 5-210)	2	2	x	x	x	x	x	x	x	x	x	x	x	x	x	
25-26	90445-09086	HOSE (174-24312-00 5-170)	1	1	x	x	x	x	x	x	x	x	x	x	x	x	x	
25-27	90467-08003	CLIP (101-24356-00) ...	6	6	x	x	x	x	x	x	x	x	x	x	x	x	x	
25-28	360-24500-00	FUEL COCK ASS'Y ....	1	1	x	x	x	x	x	x	x	x	x	x	x	x	x	
25-29	360-24521-00	. CUP, filter .....	1	1	x	x	x	x	x	x	x	x	x	x	x	x	x	
25-30	168-24522-00	. GASKET, filter .....	1	1	x	x	x	x	x	x	x	x	x	x	x	x	x	
25-31	360-24515-00	. STRAINER .....	1	1	x	x	x	x	x	x	x	x	x	x	x	x	x	
25-32	92501-06025	. SCREW, panhead ....	2	2	x	x	x	x	x	x	x	x	x	x	x	x	x	
25-33	360-24512-00	. GASKET .....	2	2	x	x	x	x	x	x	x	x	x	x	x	x	x	
25-34	137-24523-00	. VALVE .....	1	1	x	x	x	x	x	x	x	x	x	x	x	x	x	
25-35	168-24512-00	. O-RING .....	1	1	x	x	x	x	x	x	x	x	x	x	x	x	x	
25-36	413-24133-90	BAND, tank fitting .....	1	1														x

Fig. 26 OIL TANK

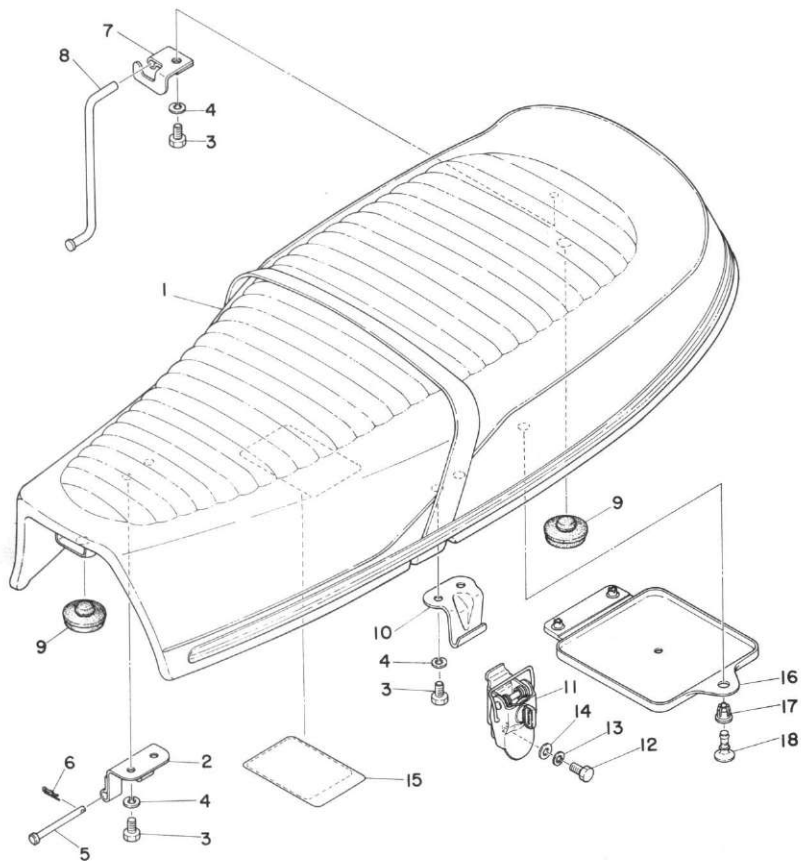


## OIL TANK

Ref. No.	Parts No.	Description	Q'ty		Applicable Machine No.	Remarks
			250	350		
26- 1	360-21705-00-F7	OIL TANK ASS'Y	.....	1		High Sparkle Blue
	360-21705-00-N8	OIL TANK ASS'Y	.....	1		Golden Bronze
	360-21705-00-63	OIL TANK ASS'Y	.....	1		Brilliant Red
	360-21705-00-G7	OIL TANK ASS'Y	.....	1		Regal Blue
	360-21705-00-Y1	OIL TANK ASS'Y	.....	1		Silver Dust
26- 2	360-21761-00	. GAUGE, level	.....	1	1	
26- 3	214-21771-00	CAP, oil tank	.....	1	1	
26- 4	90430-29114	GASKET, cap (214-21772-00)	..	1	1	
26- 5	360-21752-00	TUBE, filler	.....	1	1	
26- 6	92501-06025	SCREW, panhead	.....	2	2	
26- 7	92901-06100	WASHER, spring	.....	2	2	
26- 8	90460-30009	CLAMP, base (360-21765-00)	..	1	1	
26- 9	360-21753-00	TUBE, oil connector	.....	1	1	
26-10	90460-26007	CLAMP, hose (360-21755-00)	..	1	1	
26-11	97301-06020	BOLT, hexagon	.....	2	2	
26-12	90201-06067	WASHER, plate (116-28324-00)		2	2	
26-13	90480-14102	DAMPER (214-21717-00)	.....	2	2	
26-14	90387-07390	COLLAR	.....	2	2	
26-15	214-21779-00	DAMPER, oil tank 2	.....	1	1	
26-16	278-21792-00	GAUGE, oil level	.....	1	1	
26-17	90445-09122	HOSE (278-21766-00 5-700)	...	1	1	
26-18	90467-08003	CLIP (101-24356-00)	.....	2	2	
26-19	278-21745-00	PIPE, oil tank breather	.....	1	1	
26-20	360-21781-00	MOLD, left	.....	1	1	
26-21	361-21783-30	EMBLEM 250	.....	1		
	360-21783-20	EMBLEM 350	.....	1		
26-22	214-21268-00	SEAL, battery box	.....	1	1	



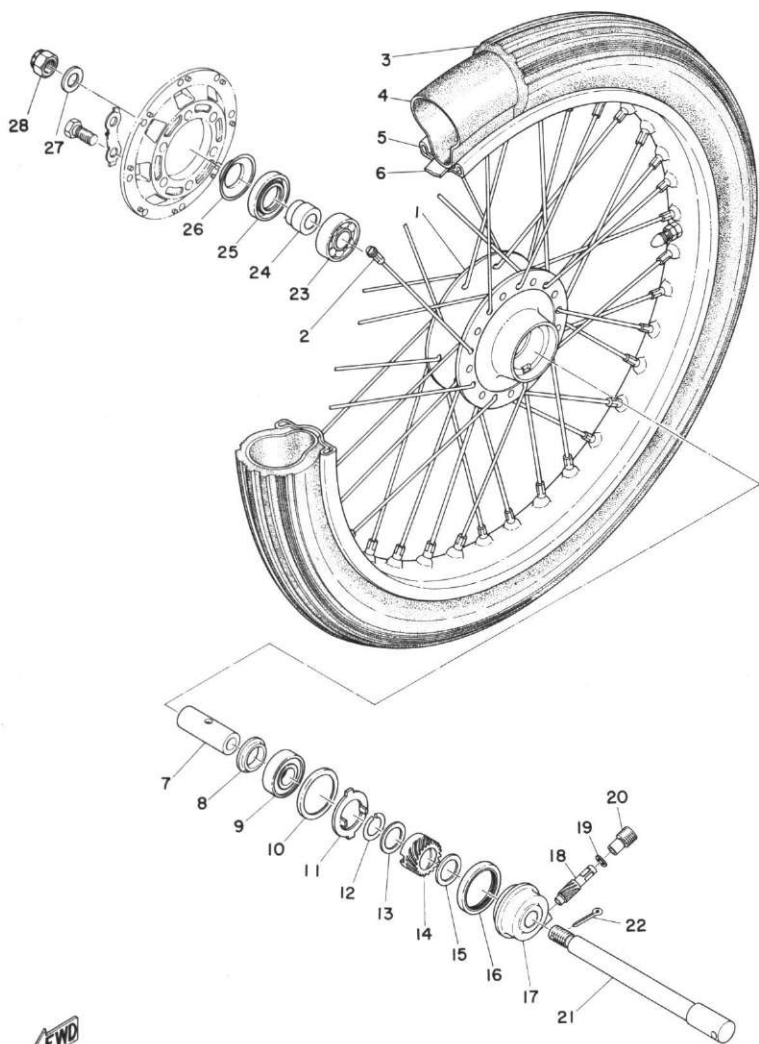
Fig. 27 SEAT



## SEAT

Ref. No.	Parts No.	Description	Q'ty		Applicable Machine No.	Remarks
			250	350		
27- 1	360-24730-06	DOUBLE SEAT ASS'Y	1	1		
27- 0-1	360-24731-03	. COVER, double seat	1	1		
27- 2	248-24726-00-33	HINGE, seat	2	2		Yamaha Black
27- 3	91201-06012	BOLT	7	7		
27- 4	92901-06100	WASHER, spring	7	7		
27- 5	91501-05055	PIN, clevis	2	2		
27- 6	90468-10050	CLIP (156-83525-00)	2	2		
27- 7	278-24748-00	BRACKET, seat stopper	1	1		
27- 8	278-24768-01	STOPPER, seat	1	1		
27- 9	174-24741-00	PAD, seat	4	4		
27-10	278-24728-00	BRACKET, seat	1	1		
27-11	353-24705-02	BRACKET SEAT ASS'Y	1	1		
27-12	91201-06010	BOLT	1	1		
27-13	92901-06100	WASHER, spring	1	1		
27-14	92901-06200	WASHER, plain	1	1		
27-15	360-28179-10	EMBLEM, caution battery	1	1		
27-16	341-28185-00	LID	1	1		
27-17	90480-06007	GROMMET (341-28187-00)	1	1		
27-18	341-28188-00	PLUNGER	1	1		

Fig. 28 FRONT WHEEL

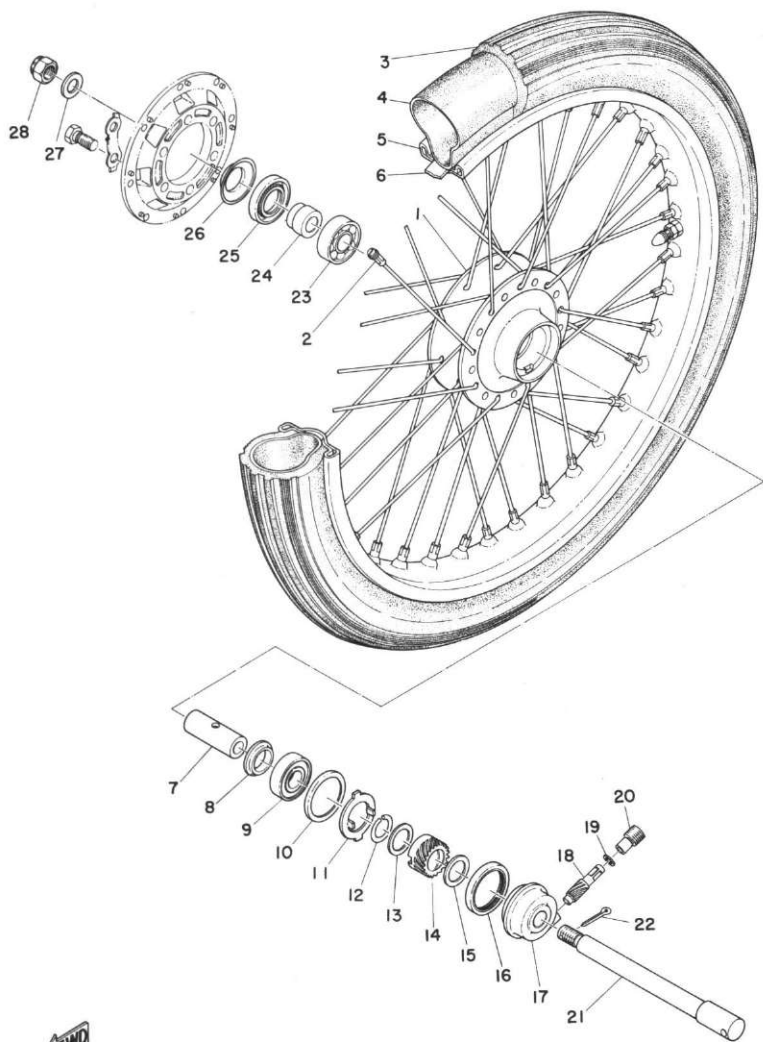


FWD

# FRONT WHEEL

Ref. No.	Parts No.	Description	Q'ty	250 350											Remarks		
				FRANCE	HOLLAND	WEST GERMANY	SWITZERLAND	BELGIUM	SWEDEN	FINLAND	DENMARK	NETHERLANDS	AUSTRIA	ENGLAND		ITALY	
28- 1	351-25111-00	HUB, front	1 1	x	x	x	x	x	x	x	x	x	x	x	x	x	x
28- 2	351-25104-00	SPOKE SET	1s 1s	x	x	x	x	x	x	x	x	x	x	x	x	x	x
28- 3	94130-18168	TIRE, front (3.00-18-4PR)	1	x	x	x	x	x	x	x	x	x	x	x	x	x	x
	94130-18108	TIRE, front (3.00-18-4PR)	1	x	x	x	x	x	x	x	x	x	x	x	x	x	x
28- 4	94230-18012	TUBE (3.00-18)	1 1	x	x	x	x	x	x	x	x	x	x	x	x	x	x
28- 5	94418-18084	RIM (1.85B-18)	1 1			x									x		
	94416-18068	RIM (1.60A-18)	1 1	x	x		x	x	x	x	x	x	x		x		
28- 6	94327-18008	BAND, rim (3.00-18)	1 1	x	x	x	x	x	x	x	x	x	x	x	x	x	x
28- 7	90560-17125	SPACER (351-25117-00)	1 1	x	x	x	x	x	x	x	x	x	x	x	x	x	x
28- 8	152-25115-00	FLANGE, spacer	1 1	x	x	x	x	x	x	x	x	x	x	x	x	x	x
28- 9	93306-30306	BEARING (B6303RS)	1 1	x	x	x	x	x	x	x	x	x	x	x	x	x	x
28-10	341-25846-00	RETAINER, clutch meter	1 1	x	x	x	x	x	x	x	x	x	x	x	x	x	x
28-11	341-25149-00	CLUTCH, meter	1 1	x	x	x	x	x	x	x	x	x	x	x	x	x	x
28-12	341-25137-00	RING, stop	1 1	x	x	x	x	x	x	x	x	x	x	x	x	x	x
28-13	90201-25286	WASHER (341-24147-00)	1 1	x	x	x	x	x	x	x	x	x	x	x	x	x	x
28-14	351-25135-00	GEAR, drive	1 1	x	x	x	x	x	x	x	x	x	x	x	x	x	x
28-15	90201-25490	WASHER (152-17226-00)	1 1	x	x	x	x	x	x	x	x	x	x	x	x	x	x
28-16	93105-45017	OIL SEAL (SDD-45-56-6)	1 1	x	x	x	x	x	x	x	x	x	x	x	x	x	x
28-17	341-25191-01	HOUSING, gear unit	1 1	x	x	x	x	x	x	x	x	x	x	x	x	x	x
28-18	351-25138-00	GEAR, meter	1 1	x	x	x	x	x	x	x	x	x	x	x	x	x	x
28-19	102-18416-00	WASHER (6.2-9.5-0.8)	1 1	x	x	x	x	x	x	x	x	x	x	x	x	x	x
28-20	306-25136-00	BUSHING	1 1	x	x	x	x	x	x	x	x	x	x	x	x	x	x
28-21	351-25181-00	SHAFT, wheel	1 1	x	x	x	x	x	x	x	x	x	x	x	x	x	x
28-22	91401-30030	PIN, cotter	1 1	x	x	x	x	x	x	x	x	x	x	x	x	x	x
28-23	93306-30301	BEARING (B6303)	1 1	x	x	x	x	x	x	x	x	x	x	x	x	x	x
28-24	90387-17433	COLLAR (341-25183-00)	1 1	x	x	x	x	x	x	x	x	x	x	x	x	x	x
28-25	93102-28022	OIL SEAL (SD-28-47-7)	1 1	x	x	x	x	x	x	x	x	x	x	x	x	x	x
28-26	341-25118-00	COVER, hub dust	1 1	x	x	x	x	x	x	x	x	x	x	x	x	x	x

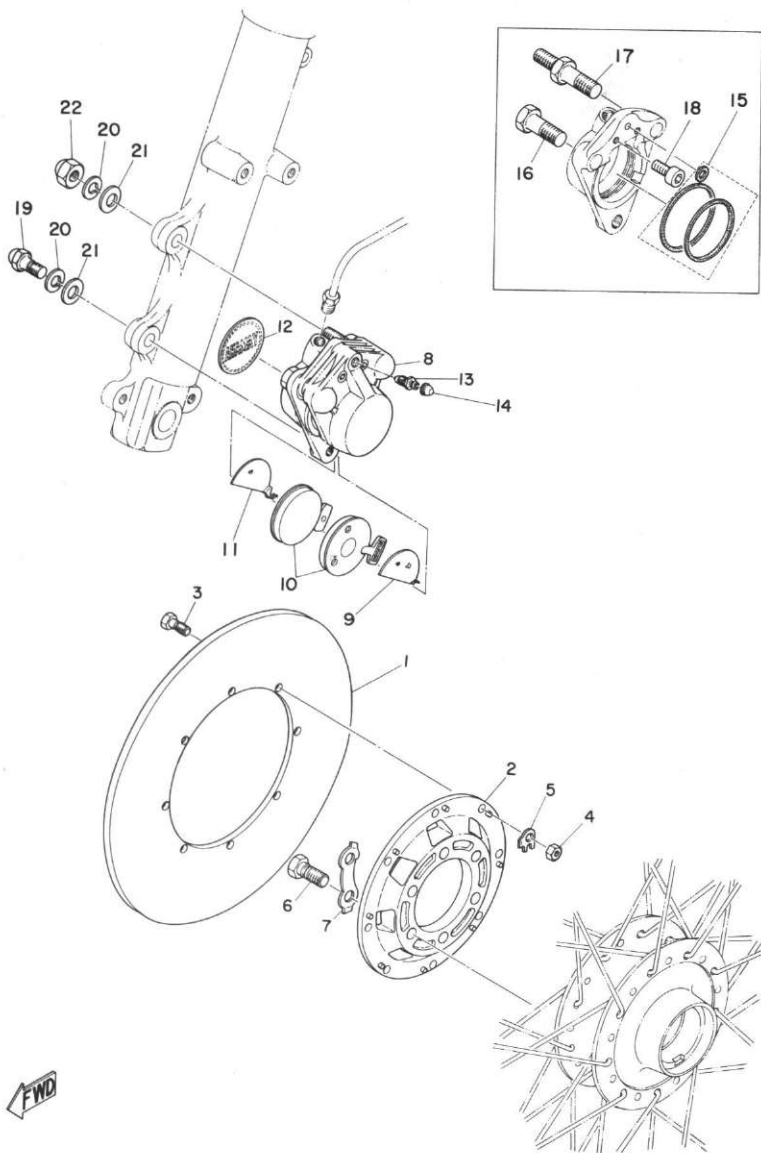
Fig. 28 FRONT WHEEL



# FRONT WHEEL

Ref. No.	Parts No.	Description	Q'ty		FRANCE	GERMANY	NETHERLANDS	BELGIUM	SWITZERLAND	DENMARK	FINLAND	SWEDEN	AUSTRIA	ENGLAND	ITALY	Remarks
			250	350												
28-27	92901-14200	WASHER, plain . . . . .	1	1	x	x	x	x	x	x	x	x	x	x	x	
28-28	90171-14006	NUT, shaft (214-25182-01)	1	1	x	x	x	x	x	x	x	x	x	x	x	

Fig. 29 DISK BRAKE · CALIPER

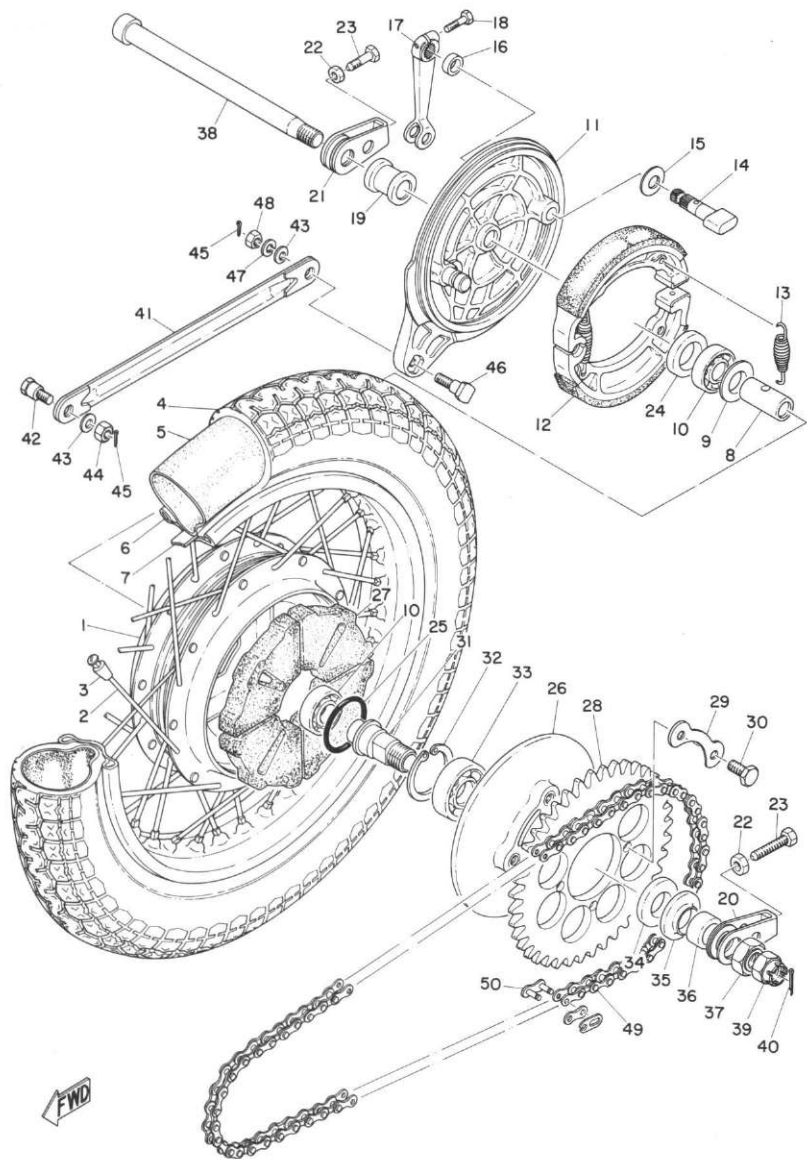


## DISK BRAKE · CALIPER

Ref. No.	Parts No.	Description	Q'ty		Applicable Machine No.	Remarks
			250	350		
29- 1	351-25831-01	DISK, brake .....	1	1		
29- 2	351-25832-00	BRACKET, disk .....	1	1		
29- 3	90109-06018	BOLT (306-25833-00) .....	8	8		
29- 4	95301-06600	NUT .....	8	8		
29- 5	90215-06106	WASHER, lock (306-25834-00) ..	8	8		
29- 6	90109-08367	BOLT .....	6	6		
29- 7	341-25412-00	WASHER, lock .....	3	3		
29- 8	306-25810-06	CALIPER ASS'Y .....	1	1		
29- 9	306-25827-04	. SHIM 1 .....	1	1		
29-10	306-25811-04	. PAD, caliper .....	2	2		
29-11	306-25828-04	. SHIM 2 .....	1	1		
29-12	306-25829-00	. EMBLEM, caliper .....	1	1		
29-13	306-25824-00	. SCREW, bleed .....	1	1		
29-14	306-25825-01	. CAP .....	1	1		
29-15	856-20000-50	. CALIPER SEAL KIT .....	1	1		
29-16	306-25821-01	. BOLT, bridge 1 .....	1	1		
29-17	306-25822-01	. BOLT, bridge 2 .....	1	1		
29-18	306-25826-01	. BOLT, bridge 3 .....	1	1		
29-19	90109-10041	BOLT (306-25818-00) .....	1	1		
29-20	92901-10100	WASHER, spring .....	2	2		
29-21	92901-10200	WASHER, plain .....	2	2		
29-22	90176-10013	NUT, cap .....	1	1		



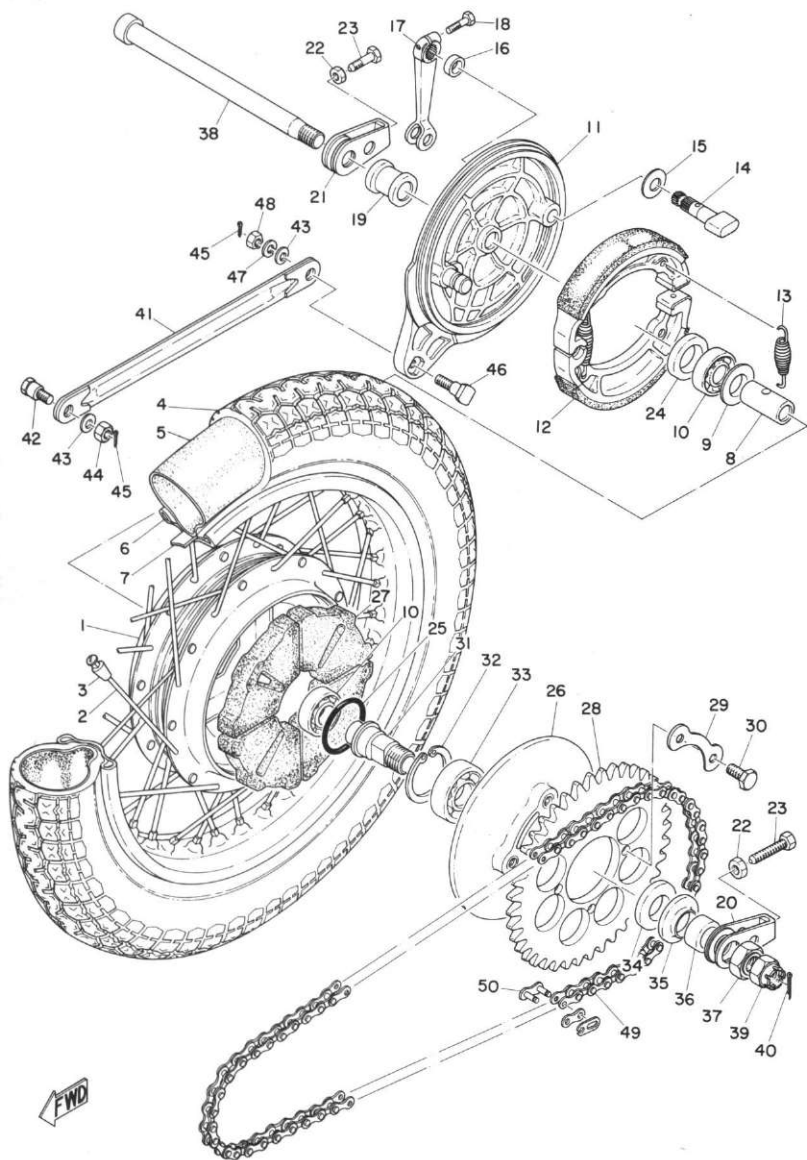
Fig. 30 REAR WHEEL



# REAR WHEEL

Ref. No.	Parts No.	Description	Q'ty		FRANCE	HOLLAND	GERMANY	SWITZERLAND	BELGIUM	FINLAND	DENMARK	NORWAY	AUSTRIA	ENGLAND	ITALY	Remarks
			250	350												
30-22	90170-08158	NUT .....	2	2	x	x	x	x	x	x	x	x	x	x	x	
30-23	90101-08034	BOLT (168-25379-00) ...	2	2	x	x	x	x	x	x	x	x	x	x	x	
30-24	93102-32037	OIL SEAL (SD-32-45-8) ..	1	1	x	x	x	x	x	x	x	x	x	x	x	
30-25	93210-55051	O-RING (3-54.5) .....	1	1	x	x	x	x	x	x	x	x	x	x	x	
30-26	168-25366-00	CLUTCH, hub .....	1	1	x	x	x	x	x	x	x	x	x	x	x	
30-27	278-25364-00	DAMPER, clutch .....	4	4	x	x	x	x	x	x	x	x	x	x	x	
30-28	414-25436-20	GEAR, sprocket wheel (36T) .....	1		x	x	x	x	x		x		x			
	413-25437-20	GEAR, sprocket wheel (37T) .....	1		x	x	x	x	x	x	x	x	x	x	x	
30-29	148-25412-00	WASHER, lock .....	2	2	x	x	x	x	x	x	x	x	x	x	x	
30-30	90105-10007	BOLT, fitting (146-25411-00) .....	4	4	x	x	x	x	x	x	x	x	x	x	x	
30-31	152-25387-00	SHAFT, sprocket .....	1	1	x	x	x	x	x	x	x	x	x	x	x	
30-32	93420-52014	CIRCLIP (R-52) .....	1	1	x	x	x	x	x	x	x	x	x	x	x	
30-33	93306-20503	BEARING (B6205ZC3) ...	1	1	x	x	x	x	x	x	x	x	x	x	x	
30-34	93104-25008	OIL SEAL (SO-25-47-5) ..	1	1	x	x	x	x	x	x	x	x	x	x	x	
30-35	168-25367-00	COVER, dust .....	1	1	x	x	x	x	x	x	x	x	x	x	x	
30-36	90387-23441	COLLAR (168-25386-00) ..	1	1	x	x	x	x	x	x	x	x	x	x	x	
30-37	90170-22097	NUT (168-25385-00) ....	1	1	x	x	x	x	x	x	x	x	x	x	x	
30-38	150-25381-00	SHAFT, wheel .....	1	1	x	x	x	x	x	x	x	x	x	x	x	
30-39	90171-16007	NUT, shaft (275-25382-00)	1	1	x	x	x	x	x	x	x	x	x	x	x	
30-40	91401-30030	PIN, cotter .....	1	1	x	x	x	x	x	x	x	x	x	x	x	
30-41	168-25371-00	BAR, tension .....	1	1	x	x	x	x	x	x	x	x	x	x	x	
30-42	90109-08375	BOLT .....	1	1	x	x	x	x	x	x	x	x	x	x	x	
30-43	92901-08200	WASHER, plain .....	2	2	x	x	x	x	x	x	x	x	x	x	x	
30-44	90170-08157	NUT, hexagon .....	1	1	x	x	x	x	x	x	x	x	x	x	x	
30-45	91401-20015	PIN, cotter .....	2	2	x	x	x	x	x	x	x	x	x	x	x	
30-46	90109-08184	BOLT (168-25378-00) ...	1	1	x	x	x	x	x	x	x	x	x	x	x	
30-47	92901-08100	WASHER, spring .....	1	1	x	x	x	x	x	x	x	x	x	x	x	

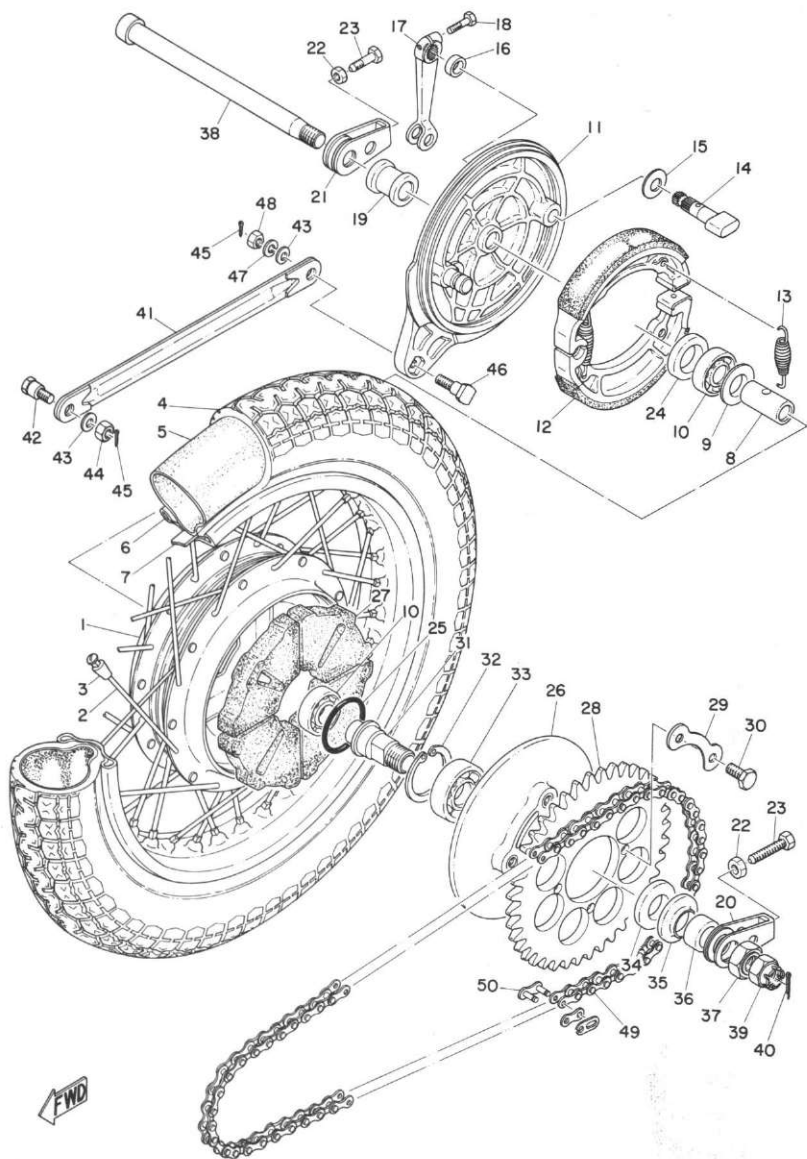
Fig. 30 REAR WHEEL



# REAR WHEEL

Ref. No.	Parts No.	Description	Q'ty													Remarks		
				250	350	FRANCE	HOLLAND	GERMANY	SWITZERLAND	WEST GERMANY	BEELGIA	SWEDEN	FINLAND	DENMARK	NORWAY		AUSTRIA	ENGLAND
30- 1	278-25311-00	HUB, rear .....	1 1	x	x	x	x	x	x	x	x	x	x	x	x	x	x	
30- 2	413-25304-00	SPOKE SET .....	1s 1s						x							x		
	278-25304-00	SPOKE SET .....	1s 1s	x	x	x	x	x	x	x	x	x	x	x	x	x	x	
30- 3	156-25398-00	BALANCER, wheel .....	U.R.U.R.	x	x	x	x	x	x	x	x	x	x	x	x	x	x	
30- 4	94135-18132	TIRE, rear (3.50-18-4PR)	1						x		x					x		
	94132-18089	TIRE, rear (3.25-18-4PR)	1	x	x				x	x						x		
	94135-18107	TIRE, rear (3.50-18-4PR)	1	x	x	x	x	x	x	x	x	x	x	x	x	x	x	
30- 5	94232-18020	TUBE (3.25-18) .....	1	x	x				x	x						x		
	94235-18022	TUBE (3.50-18) .....	1						x		x					x		
	94235-18022	TUBE (3.50-18) .....	1	x	x	x	x	x	x	x	x	x	x	x	x	x	x	
30- 6	94421-18085	RIM (2.15B-18) .....	1 1						x							x		
	94418-18026	RIM (1.85B-18) .....	1 1	x	x				x	x	x	x	x	x	x	x	x	
30- 7	94327-18008	BAND, rim (2.75-18) ...	1						x		x					x		
	94327-18008	BAND, rim (2.75-18) ...	1	x	x				x	x						x		
	94327-18008	BAND, rim (3.50-18) ...	1	x	x	x	x	x	x	x	x	x	x	x	x	x	x	
30- 8	90560-17140	SPACER (148-25317-00) ..	1 1	x	x	x	x	x	x	x	x	x	x	x	x	x	x	
30- 9	148-25315-00	FLANGE, spacer .....	1 1	x	x	x	x	x	x	x	x	x	x	x	x	x	x	
30-10	93306-30303	BEARING (B6303Z) ...	2 2	x	x	x	x	x	x	x	x	x	x	x	x	x	x	
30-11	278-25321-01	PLATE, brake shoe rear	1 1	x	x	x	x	x	x	x	x	x	x	x	x	x	x	
30-12	168-25330-00	BRAKE SHOE COMP. ...	2 2	x	x	x	x	x	x	x	x	x	x	x	x	x	x	
30-13	90507-20002	SPRING (246-25333-00) ..	2 2	x	x	x	x	x	x	x	x	x	x	x	x	x	x	
30-14	278-25351-00	CAMSHAFT .....	1 1	x	x	x	x	x	x	x	x	x	x	x	x	x	x	
30-15	148-25353-00	SHIM, camshaft (14.2-24-0.5) .....	1 1	x	x	x	x	x	x	x	x	x	x	x	x	x	x	
30-16	148-25359-00	SEAL, camshaft .....	1 1	x	x	x	x	x	x	x	x	x	x	x	x	x	x	
30-17	214-25355-00	LEVER, camshaft .....	1 1	x	x	x	x	x	x	x	x	x	x	x	x	x	x	
30-18	97303-06025	BOLT .....	1 1	x	x	x	x	x	x	x	x	x	x	x	x	x	x	
30-19	148-25383-00	COLLAR, wheel shaft ...	1 1	x	x	x	x	x	x	x	x	x	x	x	x	x	x	
30-20	168-25388-00	PULLER, chain left ...	1 1	x	x	x	x	x	x	x	x	x	x	x	x	x	x	
30-21	168-25389-00	PULLER, chain right ...	1 1	x	x	x	x	x	x	x	x	x	x	x	x	x	x	

Fig. 30 REAR WHEEL

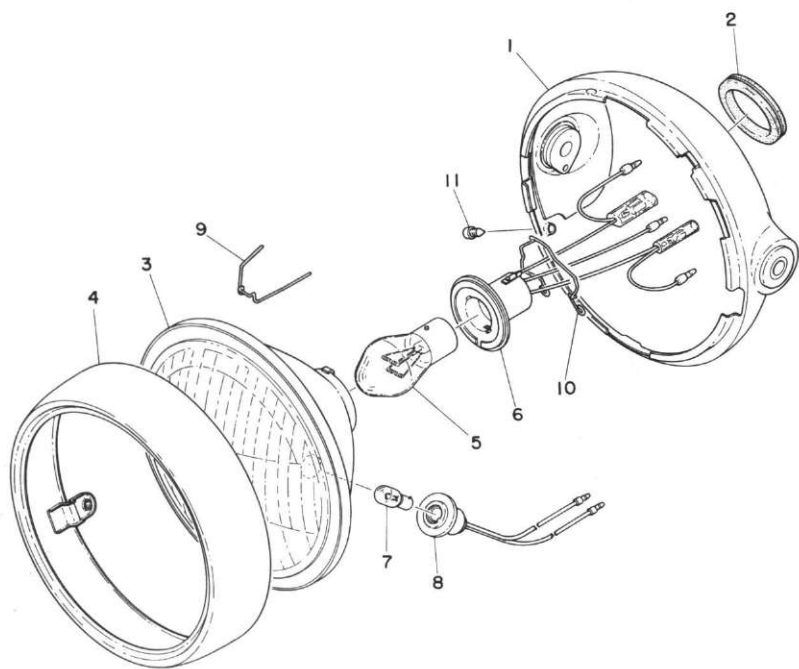


← FWD

# REAR WHEEL

Ref. No.	Rarts No.	Description	Q'ty		FRANCE	HOLLAND	W. GERMANY	SWITZERLAND	BELGIUM	SWEDEN	FINLAND	DENMARK	NORWAY	AUSTRIA	ENGLAND	ITALY	Remarks
			250	350													
30-48	90170-08158	NUT, hexagon . . . . .	1	1	X	X	X	X	X	X	X	X	X	X	X	X	
30-49	94585-30091	CHAIN (DID530DS-91L) ..	1	1	X	X	X	X	X	X	X	X	X	X	X	X	
30-50	94685-30011	. JOINT, chain . . . . .	1	1	X	X	X	X	X	X	X	X	X	X	X	X	

Fig. 31 HEAD LAMP 1

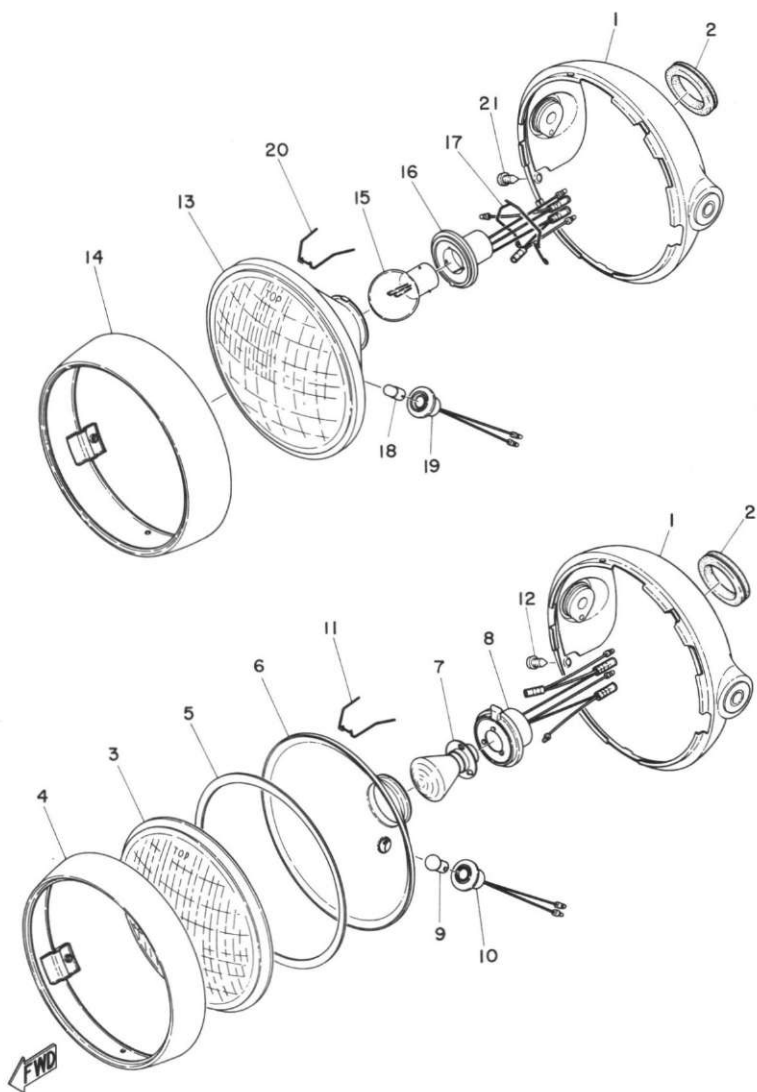


# HEAD LAMP 1

Ref. No.	Parts No.	Description	Q'ty												Remarks		
				FRANCE	HOLLAND	SWITZERLAND	W. GERMANY	BEIJING	SWEDEN	FINLAND	DENMARK	NORWAY	AUSTRIA	ENGLAND		ITALY	
			250 350														
31- 1	360-84330-61-F7	BODY ASS'Y	1	x	x	x	x	x	x	x	x	x	x				High Sparkle Blue
	360-84330-61-N8	BODY ASS'Y	1	x	x	x	x	x	x	x	x	x	x				Golden Bronze
	360-84330-61-63	BODY ASS'Y	1	x	x	x	x	x	x	x	x	x	x				Brilliant Red
	360-84330-61-G7	BODY ASS'Y	1	x	x	x	x	x	x	x	x	x	x	x			Regal Blue
	360-84330-61-Y1	BODY ASS'Y	1	x	x	x	x	x	x	x	x	x	x	x			Silver Dust
31- 2	214-84153-60	. GROMMET	1 1	x	x	x	x	x	x	x	x	x	x	x			
31- 0-1	413-84303-40	HEAD LAMP UNIT ASS'Y	1 1	x		x	x	x	x	x	x	x	x				
	413-84303-45	HEAD LAMP UNIT ASS'Y	1 1			x											
	413-84303-85	HEAD LAMP UNIT ASS'Y	1													x	
31- 3	413-84320-40	. LENS ASS'Y	1 1	x		x	x	x	x	x	x	x	x				
	413-84320-45	. LENS ASS'Y	1 1			x											
	413-84320-85	. LENS ASS'Y	1													x	
31- 4	278-84315-21	. RIM, head lamp	1 1	x	x	x	x	x	x	x	x	x	x	x			
31- 5	169-84314-10	. BULB, head lamp (12V-35/35W)	1 1	x	x	x	x	x	x	x	x	x	x	x			*
31- 6	413-84312-40	. SOCKET	1 1	x	x	x	x	x	x	x	x	x	x	x			
31- 7	169-84346-10	. BULB (12V-4W)	1 1	x	x	x	x	x	x	x	x	x	x	x			*
	413-84347-85	. BULB (12V-3W)	1													x	*
31- 8	306-84346-40	. SOCKET CORD ASS'Y	1 1	x	x	x	x	x	x	x	x	x	x	x			
	457-84146-85	. SOCKET CORD ASS'Y	1													x	
31- 9	278-84324-21	. SPRING, reflector set	4 4	x	x	x	x	x	x	x	x	x	x	x			
31-10	308-84135-21	. SPRING	1 1	x	x	x	x	x	x	x	x	x	x	x			
31-11	195-84325-00	SCREW, rim fitting	1 1	x	x	x	x	x	x	x	x	x	x	x			



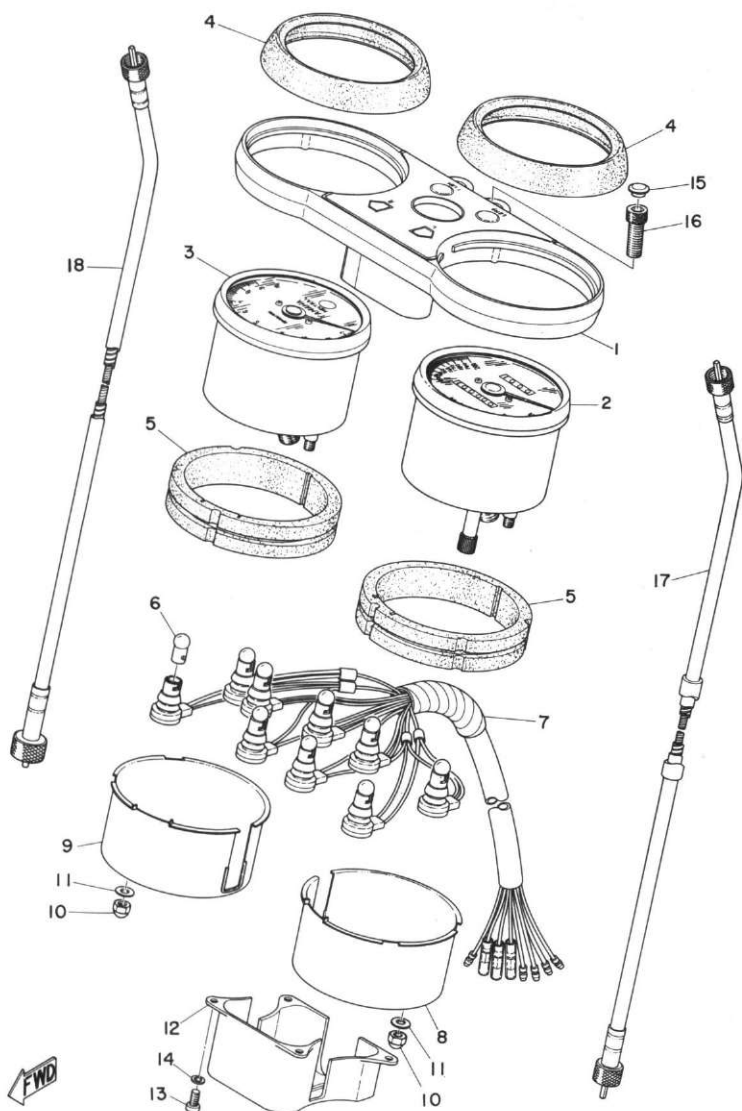
Fig. 32 HEAD LAMP 2



## HEAD LAMP 2

Ref. No.	Parts No.	Description	Q'ty												Remarks		
				250	350	FRANCE	HOLLAND	GERMANY	SWITZERLAND	BEIGIUM	SWITZERLAND	FRANCE	GERMANY	ENGLAND		ITALY	
32- 1	360-84330-61-F7	BODY ASS'Y	1	x													High Sparkle Blue
	360-84330-61-N8	BODY ASS'Y	1	x													Golden Bronze
	360-84330-61-63	BODY ASS'Y	1	x													Brilliant Red
	360-84330-61-G7	BODY ASS'Y	1	x													Regal Blue
	360-84330-61-Y1	BODY ASS'Y	1	x													Silver Dust
32- 2	214-84153-60	. GROMMET	1	1	x												
32- 0-1	360-84310-30	HEAD LAMP UNIT ASS'Y	1	1													
32- 3	150-84121-00	. LENS, head lamp	1	1													
32- 4	235-84315-30	. RIM, head lamp	1	1													
32- 5	150-84122-00	. GASKET, lens	1	1													
32- 6	156-84123-30	. REFLECTOR	1	1													
32- 7	136-84314-00	. BULB, head lamp (12V-35/25W)	1	1													
32- 8	360-84312-30	. SOCKET	1	1													
32- 9	306-84347-30	. BULB (12V-3.4W)	1	1													
32-10	306-84346-40	. SOCKET	1	1													
32-11	148-84324-00	. SPRING, reflector set	4	4													
32-12	195-84325-00	SCREW, rim fitting	1	1													
32- 0-2	278-84303-21	HEAD LAMP UNIT ASS'Y	1	1	x												
32-13	278-84320-21	. LENS ASS'Y	1	1	x												
32-14	278-84315-21	. RIM, head lamp	1	1	x												
32-15	278-84314-21	. BULB, head lamp (12V-36/36W)	1	1	x												
32-16	278-84312-21	. SOCKET	1	1	x												
32-17	308-84135-21	. SPRING	1	1	x												
32-18	169-84346-10	. BULB (12V-4W)	1	1	x												
32-19	306-84346-40	. SOCKET	1	1	x												
32-20	278-84324-21	. SPRING, reflector set	4	4	x												
32-21	195-84325-00	SCREW, rim fitting	1	1	x												

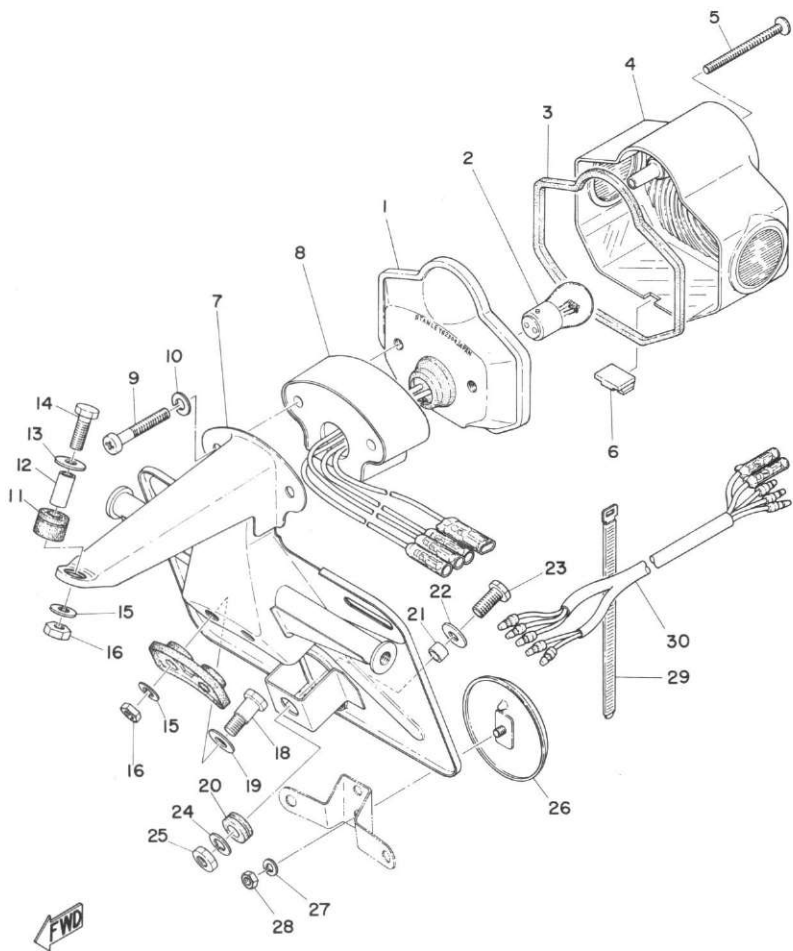
Fig. 33 SPEEDOMETER · TACHOMETER



## SPEEDOMETER · TACHOMETER

Ref. No.	Parts No.	Description	Q'ty		Applicable Machine No.	Remarks
			250	350		
33- 1	360-83519-81-98	BRACKET, meter	1	1		Frosting Black
33- 2	360-83570-21	SPEEDOMETER ASS'Y	1	1		Km/h
	360-83570-42	SPEEDOMETER ASS'Y	1	1		Mile/h
33- 3	360-83540-06	TACHOMETER ASS'Y	1	1		Graduation Unit = 100 rpm
	360-83540-02	TACHOMETER ASS'Y	1	1		Graduation Unit = 500 rpm
33- 4	360-83513-00	DAMPER	2	2		
33- 5	360-83523-00	DAMPER	2	2		
33- 6	123-83516-20	BULB (12V-3W)	9	9		
33- 7	360-83509-40	SOCKET ASS'Y	1	1		
33- 8	360-83507-01	COVER, speedometer	1	1		
33- 9	360-83508-00	COVER, tachometer	1	1		
33-10	98803-05700	NUT, crown	4	4		
33-11	92903-05200	WASHER, plain	4	4		
33-12	360-83547-00	COVER, socket	1	1		
33-13	98501-04008	SCREW, panhead	4	4		
33-14	92901-04100	WASHER, spring	4	4		
33-15	341-23469-00	CAP, bolt	2	2		
33-16	90110-08008	BOLT, fitting (360-23452-00)	2	2		
33-17	351-83550-00	SPEEDOMETER CABLE ASS'Y	1	1		
33-18	360-83560-00	TACHOMETER CABLE ASS'Y	1	1		

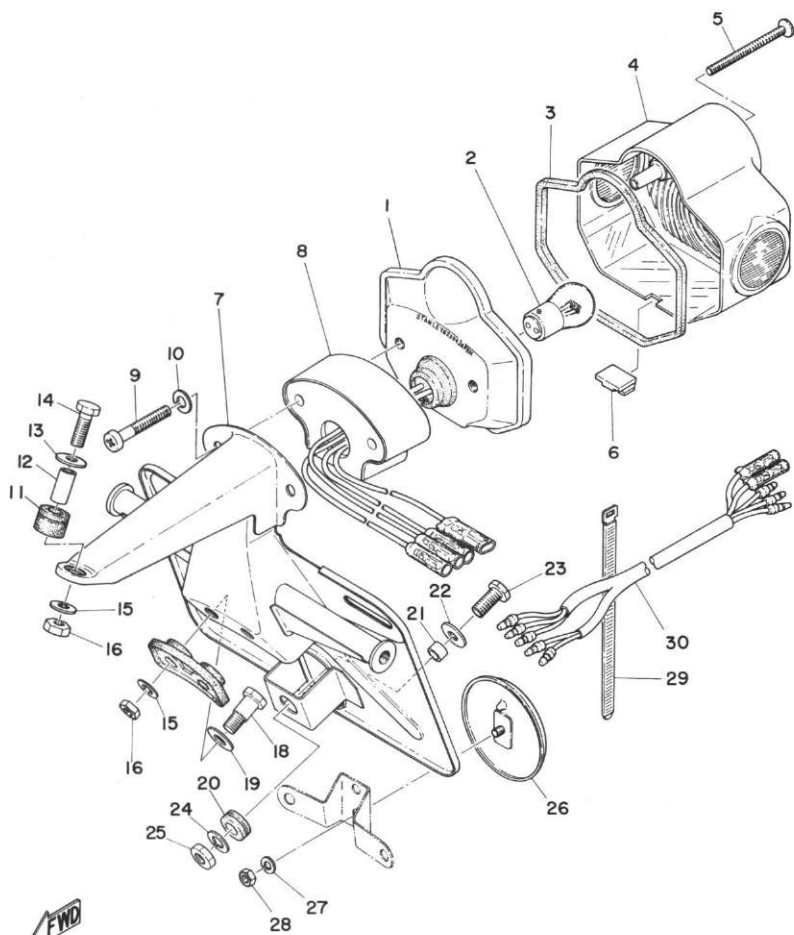
Fig. 34 TAIL LAMP 1



# TAIL LAMP 1

Ref. No.	Parts No.	Description	Q'ty	FRANCE	HOLLAND	SWITZERLAND	WEST GERMANY	BELEM	SWEDEN	FINLAND	DENMARK	NORWAY	AUSTRIA	ENGLAND	ITALY	Remarks
				250	350											
34- 0-1	278-84710-41	TAIL LAMP UNIT ASS'Y ..	1 1			x x				x x x						
34- 1	278-84711-41	. BASE, tail lamp .....	1 1			x x				x x x						
34- 2	306-84714-40	. BULB, tail lamp (12V-21/5W) .....	1 1			x x				x x x						
34- 3	256-84723-60	. GASKET, lens .....	1 1			x x				x x x						
34- 4	306-84721-41	. LENS, tail lamp .....	1 1			x x				x x x						
34- 5	256-84724-60	. SCREW, lens fitting ..	2 2			x x				x x x						
34- 6	278-84718-40	. GROMMET .....	1 1			x x				x x x						
34- 7	413-84751-40-35	BRACKET, license .....	1 1			x x				x x x						Silver
34- 8	278-84729-40	SPACER .....	1 1			x x				x x x						
34- 9	92503-06045	SCREW, panhead .....	2 2			x x				x x x						
34-10	92901-06100	WASHER, spring .....	2 2			x x				x x x						
34-11	90480-14102	GROMMET (214-21717-00)	1 1			x x				x x x						
34-12	90387-07390	COLLAR (214-21633-00) ..	1 1			x x				x x x						
34-13	90209-06095	WASHER (102-28323-00) ..	1 1			x x				x x x						
34-14	91203-06025	BOLT .....	1 1			x x				x x x						
34-15	92901-06100	WASHER, spring .....	3 3			x x				x x x						
34-16	98801-06100	NUT .....	3 3			x x				x x x						
34-17	214-84553-01	DAMPER .....	1 1			x x				x x x						
34-18	90109-06017	BOLT (168-21738-00) ....	2 2			x x				x						
	90109-06366	BOLT .....	2 2							x x						
34-19	92901-08200	WASHER, plain .....	2 2			x x				x x x						
34-20	256-21541-00	DAMPER, fender mount ..	1 1			x x				x x x						
34-21	90387-07389	COLLAR (256-21544-00) ..	1 1			x x				x x x						
34-22	90201-06058	WASHER, plate (101-24187-00) .....	1 1			x x				x x x						
34-23	97303-06018	BOLT .....	1 1			x x				x x x						
34-24	92901-06100	WASHER, spring .....	1 1			x x				x x x						
34-25	95301-06600	NUT, hexagon .....	1 1			x x				x x x						

Fig. 34 TAIL LAMP 1

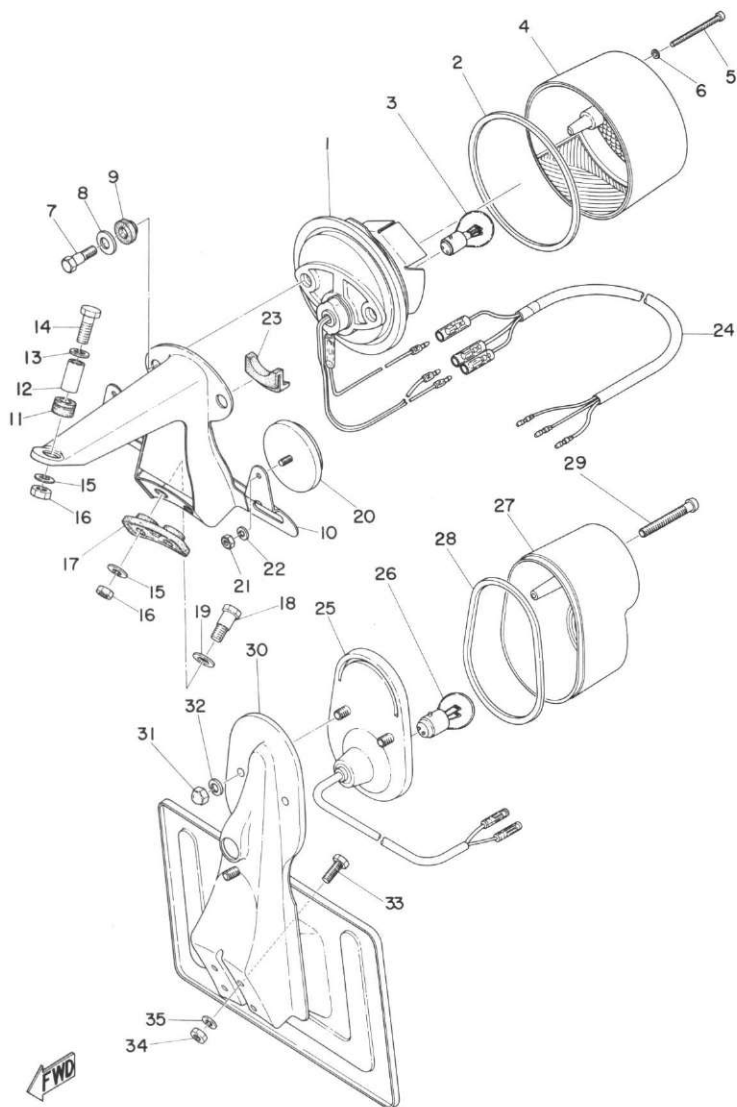


# TAIL LAMP 1

Ref. No.	Rarts No.	Description	Q'ty												Remarks		
				FRANCE	HOLLAND	GERMANY	SWITZERLAND	BEIGUM	SWEDEN	FINLAND	DENMARK	NORWAY	AUSTRIA	ENGLAND		ITALY	
			250 350														
34-26	848-85131-01	REFLECTOR .....	1 1	x	x			x	x	x							
34-27	92901-05100	WASHER, spring .....	1 1	x	x			x	x	x							
34-28	95301-05600	NUT, hexagon .....	1 1	x	x			x	x	x							
34-29	341-26397-01	BAND .....	1 1	x	x			x	x	x							
34-30	360-84517-40	CORD, tail lamp .....	1 1	x	x			x	x	x							



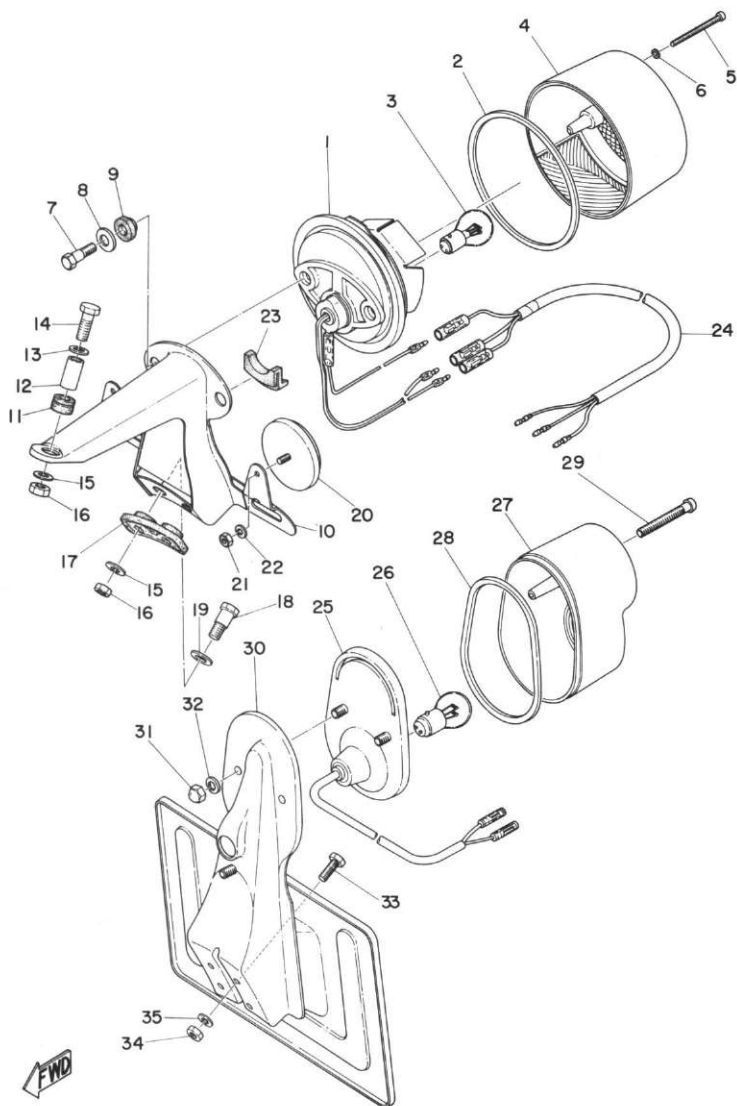
Fig. 35 TAIL LAMP 2



## TAIL LAMP 2

Ref. No.	Rarts No.	Description	Q'ty											Remarks		
				250	350	FRANCE	HOLLAND	WEST GERMANY	BRITAIN	SWEDEN	FINLAND	DENMARK	INDONESIA		AUSTRIA	ENGLAND
35- 0-1	460-84710-20	TAIL LAMP UNIT ASS'Y ..	1 1	x	x				x	x				x	x	
35- 1	460-84711-20	. BASE, tail lamp .....	1 1	x	x				x	x				x	x	
35- 2	275-84523-60	. GASKET, tail lamp ....	1 1	x	x				x	x				x	x	
35- 3	306-84714-40	. BULB, tail lamp (12V-21/5W) .....	1 1	x	x				x	x				x	x	
35- 4	456-84521-20	. LENS, tail lamp .....	1 1	x	x				x	x				x	x	
35- 5	341-84724-60	. SCREW, lens fitting ...	3 3	x	x				x	x				x	x	
35- 6	341-84722-60	. WASHER .....	3 3	x	x				x	x				x	x	
35- 7	479-84526-00	SCREW .....	2 2	x	x				x	x				x	x	
35- 8	437-84525-60	WASHER, special .....	2 2	x	x				x	x				x	x	
35- 9	275-84527-60	DAMPER .....	2 2	x	x				x	x				x	x	
35-10	479-84551-01-93	BRACKET, license .....	1 1	x	x				x	x				x	x	
35-11	90480-14102	GROMMET (214-21717-00)	1 1	x	x				x	x				x	x	
35-12	90387-07390	COLLAR (214-21633-00) ..	1 1	x	x				x	x				x	x	
35-13	90209-06095	WASHER (102-28323-00) ..	1 1	x	x				x	x				x	x	
35-14	91203-06025	BOLT .....	1 1	x	x				x	x				x	x	
35-15	92901-06100	WASHER, spring .....	3 3	x	x				x	x				x	x	
35-16	98801-06100	NUT .....	3 3	x	x				x	x				x	x	
35-17	214-84553-01	DAMPER .....	1 1	x	x				x	x				x	x	
35-18	90109-06017	BOLT (168-21738-00) ....	2 2	x	x				x					x	x	
	90109-06366	BOLT .....	2 2						x							
35-19	92901-08200	WASHER, plain .....	2 2	x	x				x	x				x	x	
35-20	449-85131-00	REFLECTOR .....	2 2	x	x				x	x				x	x	
35-21	98803-05100	NUT .....	2 2	x	x				x	x				x	x	
35-22	92903-05100	WASHER, spring .....	2 2	x	x				x	x				x	x	
35-23	437-84527-60	DAMPER .....	1 1	x	x				x	x				x	x	
35-24	316-84717-70	CORD, tail lamp .....	1 1	x	x				x	x				x	x	
35- 0-2	278-84710-31	TAIL LAMP UNIT ASS'Y ..	1 1											x		
35- 25	278-84711-30	. BASE, tail lamp .....	1 1											x		

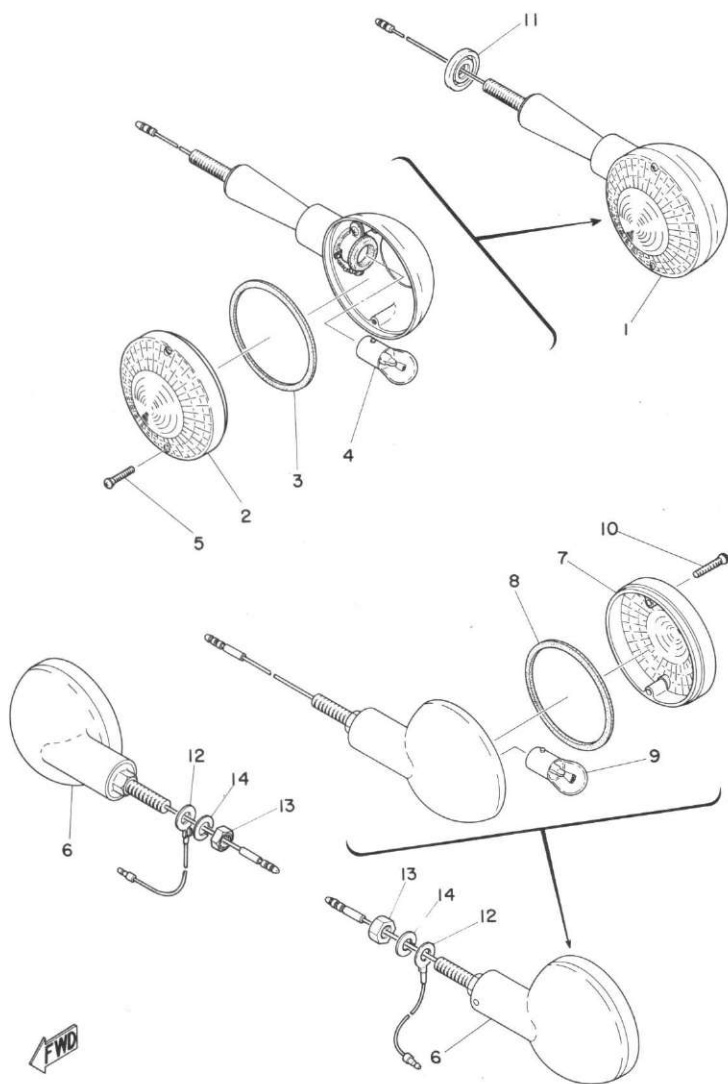
Fig. 35 TAIL LAMP 2



## TAIL LAMP 2

Ref. No.	Parts No.	Description	Qty														Remarks
			250	350	FRANCE	HOLLAND	GERMANY	SWITZERLAND	BELOAN	SWEDEN	FINLAND	DENMARK	NETHERLANDS	AUSTRIA	ENGLAND	ITALY	
35-26	137-84714-61	. BULB (12V 23/8W) . . . . .	1	1											X		
35-27	127-84521-31	. LENS, tail lamp . . . . .	1	1											X		
35-28	122-84523-30	. GASKET, tail lamp . . . . .	1	1											X		
35-29	127-84524-30	. SCREW, lens fitting . . . . .	2	2											X		
35-30	168-84751-30-35	BRACKET, lincense . . . . .	1	1											X	Silver	
35-31	98803-06700	NUT, crown . . . . .	2	2											X		
35-32	92901-06100	WASHER, spring . . . . .	2	2											X		
35-33	97301-06012	BOLT . . . . .	4	4											X		
35-34	98801-06100	NUT . . . . .	4	4											X		
35-35	92901-06100	WASHER, spring . . . . .	4	4											X		

Fig. 36 FLASHER LAMP 1

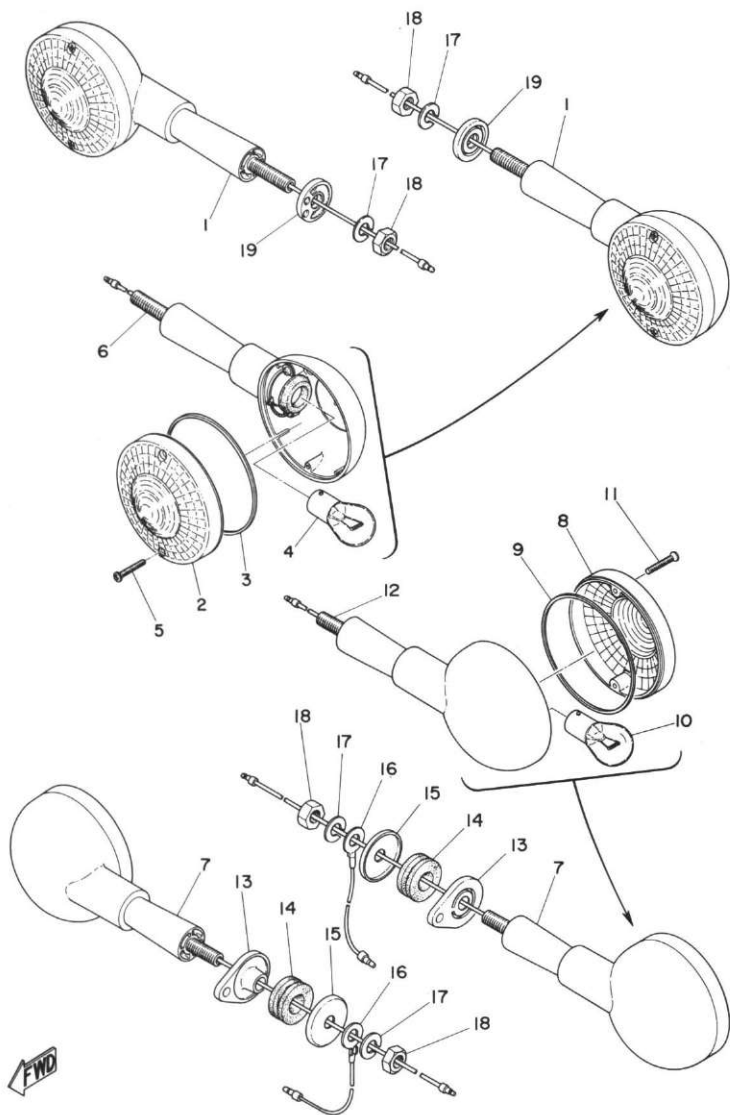


FWD

# FLASHER LAMP 1

Ref. No.	Parts No.	Description	Q'ty		FRANCE	HOLLAND	SWITZERLAND W. GERMANY	BELGIUM	SWEDEN	DENMARK	FINLAND	NORWAY	AUSTRIA	ENGLAND	ITALY	Remarks
			250	350												
36- 1	366-83310-40-93	FRONT FLASHER LAMP ASS'Y .....	2	2			X X			X X X						
36- 2	341-83312-70	. LENS, flasher .....	2	2			X X			X X X						Amber
36- 3	341-83313-70	. GASKET, flasher lens ..	2	2			X X			X X X						
36- 4	306-83311-40	. BULB, flasher (12V-21W) .....	2	2			X X			X X X						*
36- 5	341-83333-70	. SCREW, lens fitting ...	4	4			X X			X X X						
36- 6	366-83330-40-93	REAR FLASHER LAMP ASS'Y .....	2	2			X X			X X X						
36- 7	366-83312-40	. LENS, flasher .....	2	2			X X			X X X						Amber
36- 8	341-83313-70	. GASKET, flasher lens	2	2			X X			X X X						
36- 9	306-83311-40	. BULB, flasher (12V-21W) .....	2	2			X X			X X X						*
36-10	341-83333-70	. SCREW, lens fitting ...	4	4			X X			X X X						
36-11	360-83316-00	COLLAR, flasher front ..	2	2			X X			X X X						
36-12	256-84313-01	WIRE, earth lead .....	2	2			X X			X X X						
36-13	95301-08600	NUT, hexagon .....	2	2			X X			X X X						
36-14	92901-08100	WASHER, spring .....	2	2			X X			X X X						

Fig. 37 FLASHER LAMP 2

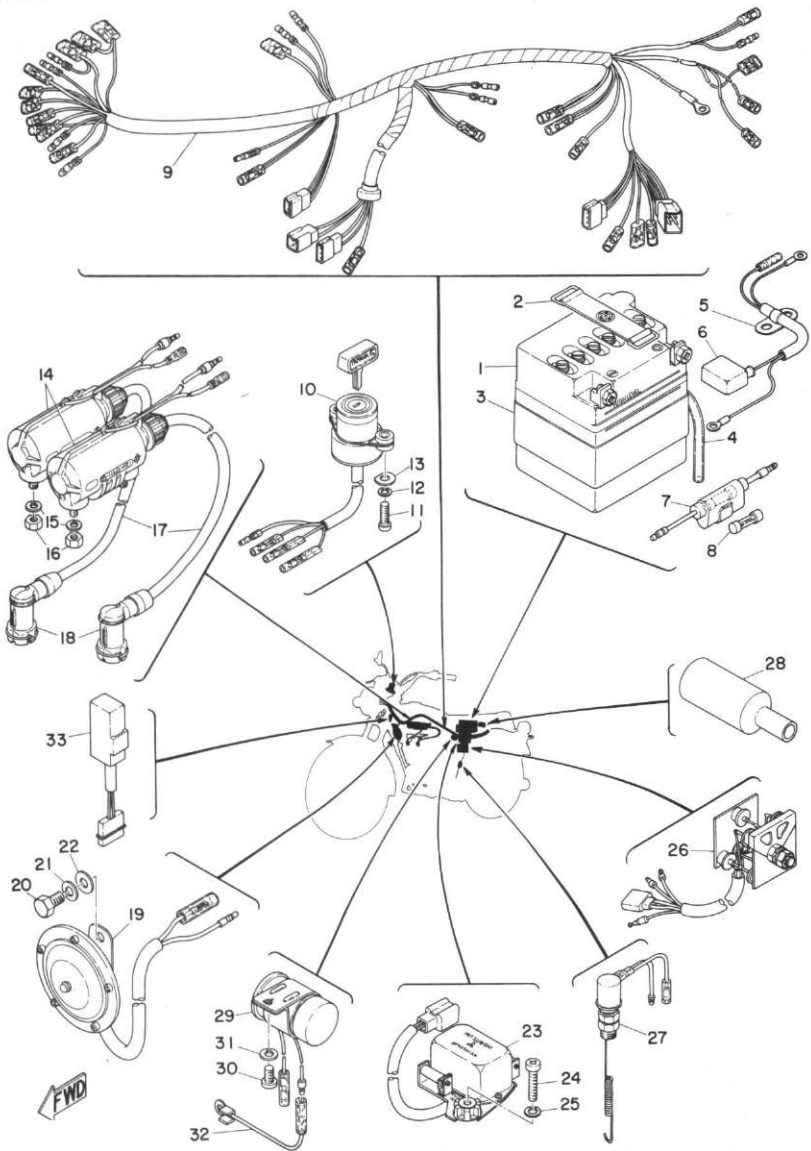


# FLASHER LAMP 2

Ref. No.	Rarts No.	Description	Q'ty												Remarks		
				250	350	FRANCE	HOLLAND	W. GERMANY	SWITZERLAND	BELGIUM	SWEDEN	FINLAND	DENMARK	NORWAY		AUSTRIA	ENGLAND
37- 1	360-83310-71-93	FRONT FLASHER LAMP ASS'Y .....	2 2	x	x					x	x			x	x	x	
37- 2	341-83312-70	. LENS, flasher .....	2 2	x	x					x	x			x	x	x	Amber
37- 3	341-83313-70	. GASKET, flasher lens ..	2 2	x	x					x	x			x	x	x	
37- 4	256-83311-70	. BULB, flasher (12V-27W)	2 2	x	x					x	x			x	x	x	⊙
37- 5	341-83333-70	. SCREW, lens fitting ..	4 4	x	x					x	x			x	x	x	
37- 6	341-83367-00	. BOLT, stud .....	2 2	x	x					x	x			x	x	x	
37- 7	447-83330-22-93	REAR FLASHER LAMP ASS'Y .....	2 2	x	x					x	x						
	521-83330-50-93	REAR FLASHER LAMP ASS'Y .....	2 2											x			
37- 8	341-83312-70	. LENS, flasher .....	2 2	x	x					x	x			x	x		Amber
	366-83312-40	. LENS, flasher .....	2 2											x			Amber
37- 9	341-83313-70	. GASKET, flasher lens ..	2 2	x	x					x	x			x	x	x	
37-10	256-83311-70	. BULB, flasher (12V-27W)	2 2	x	x					x	x			x	x	x	⊙
37-11	341-83333-70	. SCREW, lens fitting ..	4 4	x	x					x	x			x	x	x	
37-12	360-83367-00	. BOLT, stud .....	2 2	x	x					x	x			x	x	x	
37-13	360-83326-00	COLLAR, flasher rear ..	2 2	x	x					x	x			x	x	x	
37-14	90480-18128	DAMPER (360-83321-00)	2 2	x	x					x	x			x	x	x	
37-15	90209-08098	WASHER (341-83348-00)	2 2	x	x					x	x			x	x	x	
37-16	256-84313-01	WIRE, earth lead .....	2 2	x	x					x	x			x	x	x	
37-17	92901-08100	WASHER, spring .....	4 4	x	x					x	x			x	x	x	
37-18	95301-08600	NUT, hexagon .....	4 4	x	x					x	x			x	x	x	
37-19	360-83316-00	COLLAR, flasher front ..	2 2	x	x					x	x			x	x	x	



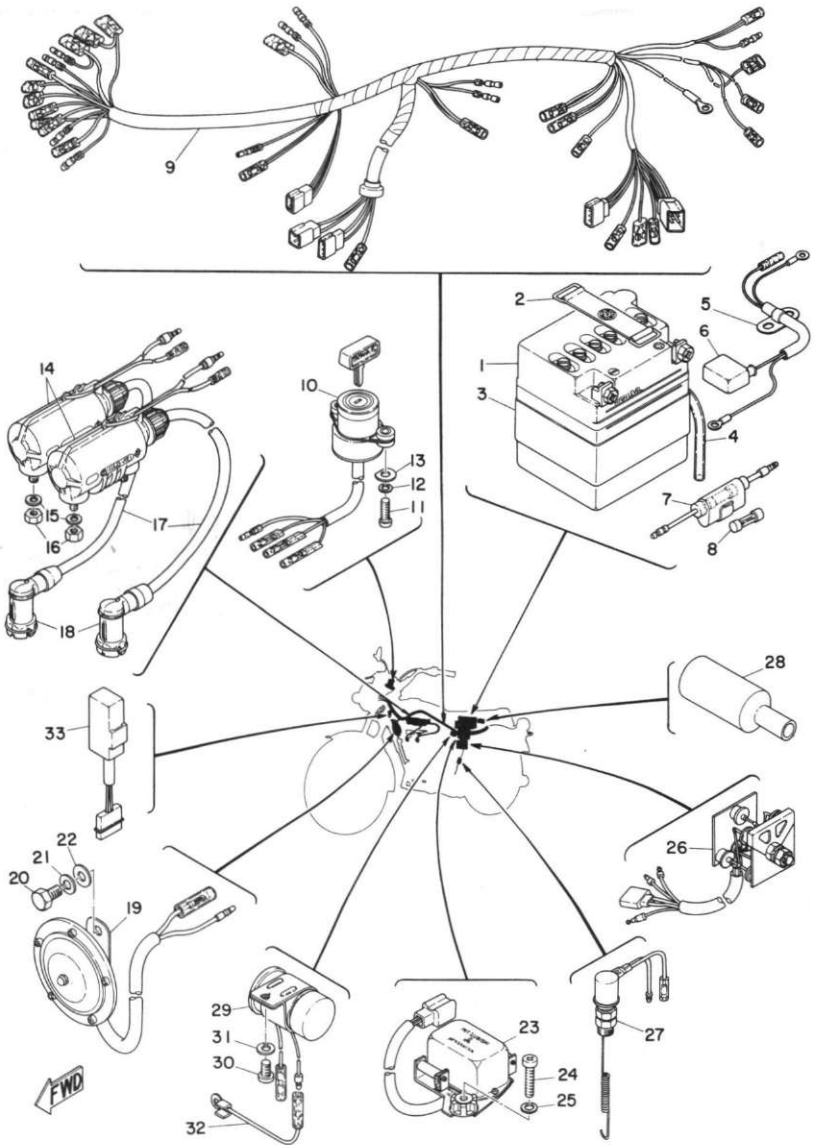
Fig. 38 ELECTRICAL



## ELECTRICAL

Ref. No.	Parts No.	Description	Q'ty	250 350	FRANCE	HOLLAND	SWITZERLAND	WEST GERMANY	BELGIUM	SWEDEN	DENMARK	FINLAND	NORWAY	AUSTRIA	ENGLAND	ITALY	Remarks
38- 1	118-82110-71	BATTERY ASS'Y	.....	} U.R.U.R. 1 1	x	x	x	x	x	x	x	x	x	x	x	x	x
	118-82110-80	BATTERY ASS'Y	.....														
38- 1-1	104-82111-20	. CAP, battery	.....	6 6	x	x	x	x	x	x	x	x	x	x	x	x	x
38- 2	122-82131-00	BAND, battery	.....	1 1	x	x	x	x	x	x	x	x	x	x	x	x	x
38- 3	235-82124-00	BAND, battery	.....	1 1	x	x	x	x	x	x	x	x	x	x	x	x	x
38- 4	90445-08047	PIPE (168-82112-00)	....	1 1	x	x	x	x	x	x	x	x	x	x	x	x	x
38- 5	360-82117-01	WIRE, lead	.....	1 1	x	x	x	x	x	x	x	x	x	x	x	x	x
38- 6	360-82119-00	. COVER, lead wire	....	1 1	x	x	x	x	x	x	x	x	x	x	x	x	x
38- 7	164-82150-00	FUSE HOLDER ASS'Y	...	1 1	x	x	x	x	x	x	x	x	x	x	x	x	x
38- 8	148-82151-00	. FUSE	.....	2 2	x	x	x	x	x	x	x	x	x	x	x	x	x
38- 9	360-82590-43	WIRE HARNESS ASS'Y	..	1 1	x	x	x	x	x	x	x	x	x	x	x	x	x
38-10	447-82508-46	MAIN SWITCH ASS'Y	...	1 1			x										
	447-82508-41	MAIN SWITCH ASS'Y	...	1 1	x	x		x	x	x	x	x	x	x	x	x	x
38-11	98501-05018	SCREW, panhead	.....	2 2	x	x	x	x	x	x	x	x	x	x	x	x	x
38-12	92901-05100	WASHER, spring	.....	2 2	x	x	x	x	x	x	x	x	x	x	x	x	x
38-13	90209-05116	WASHER (360-82517-00)	.....	2 2	x	x	x	x	x	x	x	x	x	x	x	x	x
38-14	254-82310-60	IGNITION COIL ASS'Y	..	2 2	x	x	x	x	x	x	x	x	x	x	x	x	x
38-15	92901-06100	WASHER, spring	.....	4 4	x	x	x	x	x	x	x	x	x	x	x	x	x
38-16	98801-06200	NUT	.....	4 4	x	x	x	x	x	x	x	x	x	x	x	x	x
38-17	278-82341-00	CORD, high tension	....	2 2	x	x	x	x	x	x	x	x	x	x	x	x	x
38-18	808-82370-10	PLUG CAP ASS'Y	.....	2 2	x	x	x	x	x	x	x	x	x	x	x	x	x
38-19	360-83371-50	HORN	.....	1 1	x		x	x	x				x		x		
	360-83371-40	HORN	.....	1 1		x				x	x				x		
38-20	97201-08018	BOLT	.....	1 1	x	x	x	x	x	x	x	x	x	x	x	x	x
38-21	92901-08100	WASHER, spring	.....	1 1	x	x	x	x	x	x	x	x	x	x	x	x	x
38-22	92901-08200	WASHER, plain	.....	1 1	x	x	x	x	x	x	x	x	x	x	x	x	x
38-23	278-81910-22	VOLTAGE REGULATOR ASS'Y	.....	1 1	x	x	x	x	x	x	x	x	x	x	x	x	x
38-24	92501-06030	SCREW, panhead	.....	2 2	x	x	x	x	x	x	x	x	x	x	x	x	x

Fig. 38 ELECTRICAL



## ELECTRICAL

Ref. No.	Parts No.	Description	Q'ty		FRANCE	HOLLAND	WEST GERMANY	SWITZERLAND	BELGIUM	SWEDEN	FINLAND	DENMARK	NORWAY	AUSTRIA	ENGLAND	ITALY	Remarks
			250	350													
38-25	92901-06100	WASHER, spring	2	2	x	x	x	x	x	x	x	x	x	x	x	x	
38-26	278-81970-21	RECTIFIER ASS'Y	1	1	x	x	x	x	x	x	x	x	x	x	x	x	
38-27	278-82530-00	STOP SWITCH ASS'Y	1	1	x	x	x	x	x	x	x	x	x	x	x	x	
38-28	256-82599-00	COVER, connector	1	1	x	x	x	x	x	x	x	x	x	x	x	x	
38-29	366-83350-40	FLASHER RELAY ASS'Y ..	1	1			x	x		x	x	x					
	278-83350-70	FLASHER RELAY ASS'Y ..	1	1	x	x		x	x						x	x	
38-30	92501-06012	SCREW, panhead	1	1	x	x	x	x	x	x	x	x	x	x	x	x	
38-31	92901-06100	WASHER, spring	1	1	x	x	x	x	x	x	x	x	x	x	x	x	
38-32	214-83354-00	WIRE, earth lead	1	1	x	x	x	x	x	x	x	x	x	x	x	x	
38-33	371-84708-00	CHECKER, lamp	1	1	x	x	x	x	x	x	x	x	x	x	x	x	



# NUMERICAL INDEX





# NUMERICAL INDEX

Ref No.	Parts No.	Ref No.	Parts No.	Ref No.	Parts No.
28-19	102-18416-00	12- 2	137-14143-21	6-29	168-17428-01-05
38- 1-1	104-82111-20	12- 2	137-14143-22	6-34	168-17461-50
38- 1	118-82110-71	12- 3	137-14153-00	6-34	168-17461-60
38- 1	118-82110-80	12- 8	137-14186-00	6-34	168-17461-70
2-15	120-15371-00	2-13	137-15353-00	13-21	168-21639-00
19-43	120-27431-00	7-31	137-15353-00	20-16	168-21639-00
19-44	120-27433-00	25-34	137-24523-00	25-35	168-24512-00
20-33	122-21582-81-33	35-26	137-84714-61	25-30	168-24522-00
21-29	122-23119-01	17- 8	141-21717-00	30-12	168-25330-00
21-30	122-23129-00	30- 9	148-25315-00	30-26	168-25366-00
25-23	122-24182-01	30-15	148-25353-00	30-35	168-25367-00
38- 2	122-82131-00	30-16	148-25359-00	30-41	168-25371-00
35-28	122-84523-30	30-19	148-25383-00	30-20	168-25388-00
33- 6	123-83516-20	30-29	148-25412-00	30-21	168-25389-00
14- 1	126-13116-00	38- 8	148-82151-00	15-29	168-81235-21
12-18	127-14134-00	32-11	148-84324-00	23-22	168-83936-01
12-32	127-14161-00	18- 6	150-22128-00	35-30	168-84751-30-35
35-29	127-84524-30	30-38	150-25381-00	16-18	169-23480-10
35-27	127-84521-31	32- 3	150-84121-00	31- 5	169-84314-10
15-13	131-81231-20	32- 5	150-84122-00	31- 7	169-84346-10
12-37	132-14179-00	12-17	152-14123-00	32-18	169-84346-10
5-29	132-16346-00	13- 9	152-14613-00	12-39	170-14178-00
8-13	132-18113-01	28- 8	152-25115-00	5- 3	170-16164-00
16-15	134-23483-10	30-31	152-25387-00	20-26	170-21746-00
16-16	134-23484-10	9- 2	156-15618-01	20-34	173-21581-80-93
16-19	134-23485-10	18- 2	156-22141-00	5-11	174-16356-00
16-17	134-23488-10	22- 2	156-23411-00	20- 9	174-21518-00-93
9-23	136-17417-00-10	22- 4	156-23412-00	27- 9	174-24741-00
22- 7	136-23415-00	30- 3	156-25398-00	22- 6	183-23411-00
32- 7	136-84314-00	19-23	156-27413-00	22- 5	183-23412-00
14-17	137-13128-00	32- 6	156-84123-30	17-17	190-23445-00
14-12	137-13137-00-03	12-24	164-14137-00	12- 1	193-14142-30
14-12	137-13137-00-05	6-39	164-17417-00-10	31-11	195-84325-00
14-13	137-13138-01	22- 1	164-23462-00	32-12	195-84325-00
14- 4	137-13176-00	23-25	164-26363-00	32-21	195-84325-00
12-16	137-14133-00	38- 7	164-82150-00	12-15	204-14122-00
12- 2	137-14143-18	12- 4	168-14190-25	12- 5	214-14195-00
12- 2	137-14143-19	6-13	168-17428-01-03		
12- 2	137-14143-20	6-29	168-17428-01-03		
		6-13	168-17428-01-05		





# NUMERICAL INDEX

Ref No.	Parts No.	Ref No.	Parts No.	Ref No.	Parts No.
4-23	214-16119-00	12-35	256-14135-00	13- 7	278-14621-00
5-14	214-16119-00	5-21	256-16396-01	2- 0-1	278-15100-02
5-20	214-16347-01	14-30	256-17837-00	2- 1	278-15111-02
5-25	214-16389-00	34-20	256-21541-00	2- 2	278-15121-02
10-10	214-17811-01	22-19	256-23442-00-98	2-19	278-15441-00
10-16	214-17812-00	38-28	256-82599-00	3-13	278-15461-01
10-12	214-17841-01	37- 4	256-83311-70	2-17	278-15492-01
10-18	214-17843-00	37-10	256-83311-70	9- 1	278-15611-00-93
10-14	214-17847-00	36-12	256-84313-01	9- 5	278-15621-00
8- 5	214-18178-00	37-16	256-84313-01	9-21	278-15641-00
20-23	214-21268-00	34- 3	256-84723-60	6-38	278-15650-00
26-22	214-21268-00	34- 5	256-84724-60	9-22	278-15660-01
26- 3	214-21771-00	14- 2	275-13175-00	9-14	278-15666-00
26-15	214-21779-00	35- 2	275-84523-60	9-16	278-15671-00
21-19	214-23114-00	35- 7	275-84526-60	9-15	278-15676-00
21- 4	214-23146-00	35- 9	275-84527-60	4-21	278-16111-01
21- 5	214-23156-00	19-32	276-27231-00	5- 1	278-16150-02
21-14	214-23163-00	1- 2	278-11181-01	5-15	278-16181-01
30-17	214-25355-00	1- 5	278-11351-01	5- 5	278-16367-00
23-12	214-26243-00	4- 1	278-11412-00	4-19	278-17424-00
37-32	214-83354-00	4- 2	278-11422-00	6-30	278-17424-00
23- 5	214-83912-00	4- 3	278-11432-00	6-28	278-17425-00
23- 7	214-83913-00	4- 4	278-11442-00	10- 8	278-17812-00
31- 2	214-84153-60	4- 9	278-11515-00	10- 6	278-17831-00
32- 2	214-84153-60	4-15	278-11633-00	10- 2	278-17851-00
34-17	214-84553-01	4- 5	278-11681-00	10- 1	278-17861-00
35-17	214-84553-01	14-24	278-13161-00	8-19	278-18101-01
23- 2	235-26241-10	14-29	278-13174-00	8-12	278-18111-00-93
23-14	235-26242-10	14- 2	278-13175-00	8-10	278-18127-00
38- 3	235-82124-00	14- 8	278-13178-00	8-15	278-18131-00
32- 4	235-84315-30	12-11	278-14115-00	7-24	278-18531-00
5-18	237-15389-00	12-12	278-14117-00	7-25	278-18535-00
5-17	237-16357-01	12-34	278-14171-00	7-13	278-18542-00
18- 7	240-22127-00	12-37	278-14174-00	7-28	278-18547-02
13- 8	246-14612-00	12-42	278-14197-00	7-11	278-18566-00
9-11	248-15668-00	11- 3	278-14412-01	17-15	278-21170-00-33
16- 5	248-21315-00	11- 6	278-14426-00	17- 7	278-21240-00-33
27- 2	248-24726-00-33	11- 4	278-14459-00	20-24	278-21336-00
23-23	253-26290-20	13- 6	278-14611-00	26-19	278-21745-00
38-14	254-82310-60				

# NUMERICAL INDEX

Ref No.	Parts No.	Ref No.	Parts No.	Ref No.	Parts No.
17-16	278-21746-00	15- 8	278-81621-20	29-10	306-25811-04
26-16	278-21792-00	15- 9	278-81622-20	29-16	306-25821-01
18- 1	278-22110-00-33	15-26	278-81651-20	29-17	306-25822-01
18-10	278-22210-21	15-27	278-81652-20	29-13	306-25824-00
18-15	278-22332-00	38-23	278-81910-22	29-14	306-25825-01
21-15	278-23116-50	38-26	278-81970-21	29-18	306-25826-01
21-10	278-23141-50	38-17	278-82341-00	29- 9	306-25827-04
21-17	278-23142-50	38-27	278-82530-00	29-11	306-25828-04
21-11	278-23144-50	7-32	278-82540-01	29-12	306-25829-00
21- 3	278-23145-51	38-29	278-83350-70	24-38	306-25871-00
21-12	278-23148-50	32- 0-2	278-84303-21	24-38	306-25871-40
21-28	278-23158-50	32-16	278-84312-21	24-36	306-25876-00
21- 8	278-23170-50	32-15	278-84314-21	24-37	306-25881-00
21- 7	278-23171-50	31- 4	278-84315-21	36- 4	306-83311-40
21-27	278-23181-50	32-14	278-84315-21	36- 9	306-83311-40
25-24	278-24181-00	32-13	278-84320-21	31- 8	306-84346-40
27-10	278-24728-00	31- 9	278-84324-21	32-10	306-84346-40
27- 7	278-24748-00	32-20	278-84324-21	32-19	306-84346-40
27- 8	278-24768-01	35- 0-2	278-84710-31	32- 9	306-84347-30
30- 2	278-25304-00	34- 0-1	278-84710-41	34- 2	306-84714-40
30- 1	278-25311-00	35-25	278-84711-30	35- 3	306-84714-40
30-11	278-25321-01	34- 1	278-84711-41	34- 4	306-84721-41
30-14	278-25351-00	34- 6	278-84718-40	25-12	308-24641-00
30-27	278-25364-00	34- 8	278-84729-40	25-11	308-24642-00
23- 1	278-26111-00	1- 2	280-11181-01	31-10	308-84135-21
23-13	278-26249-00	4-15	280-11633-00	32-17	308-84135-21
19- 1	278-27111-00	14- 8	280-13178-00	11-16	314-13621-02
19- 2	278-27112-00	12- 6	280-14185-00	35-24	316-84717-70
13-24	278-27114-00	12- 7	280-14187-00	21-16	321-23115-50
19-24	278-27211-00-33	4-21	280-16111-01	25-10	322-24161-00
19-25	278-27212-00	5- 1	280-16150-01	8- 1	328-18128-00
19- 5	278-27311-01	10- 2	280-17851-00	8- 2	328-18151-00
19-48	278-27314-00	21-20	291-23111-60	7-17	328-18179-00
19-15	278-27412-00	21-18	291-23118-60	7- 5	328-18185-00
19-20	278-27414-01	21-14	291-23163-61	7- 7	328-18352-10
19-19	278-27416-00	21-24	306-23167-60	7-20	328-18511-00
19-16	278-27451-00	21-22	306-23346-60	7-21	328-18512-00
15-17	278-81611-20	28-20	306-25136-00	7- 3	328-18561-00
15-18	278-81617-20	29- 8	306-25810-06	7-15	328-18562-00

# NUMERICAL INDEX

Ref No.	Parts No.	Ref No.	Parts No.	Ref No.	Parts No.
24- 0-2	341-20000-10	24-18	341-83925-00	4- 0-2	360-11630-10
16-18	341-23408-01	24-39	341-83980-30	4- 0-2	360-11630-20
22-16	341-23469-00	35- 6	341-84722-60	4- 0-2	360-11630-30
33-15	341-23469-00	35- 5	341-84724-60	4- 0-2	360-11630-40
25-21	341-24602-01	16-21	341-85111-00	4-13	360-11631-01-96
25-13	341-24612-01	11-17	345-13565-71	4-13	360-11631-01-98
25-17	341-24628-00	11-11	345-13610-70	4-13	360-11635-01
25- 0-1	341-24653-00	11-13	345-13613-70	4-13	360-11636-01
28-26	341-25118-00	11-12	345-13616-70	4-13	360-11637-01
28-12	341-25137-00	20- 1	351-21510-00-93	4-13	360-11638-01
28-11	341-25149-00	20- 2	351-21513-00	4- 6	360-11651-00
28-17	341-25191-01	20-12	351-21610-00-93	14- 0-1	360-13101-01
29- 7	341-25412-00	21- 9	351-23124-50	12- 0-1	360-14101-92
28-10	341-25846-00	21- 1	351-23126-50	12- 0-2	360-14102-92
24-11	341-25852-00	21- 2	351-23136-50	12-23	360-14116-04
24-13	341-25854-00	28- 2	351-25104-00	12-26	360-14131-00
24-12	341-25855-30	28- 1	351-25111-00	12-19	360-14141-38
24-25	341-25862-20	28-14	351-25135-00	12-28	360-14158-00-33
24-20	341-25867-00	28-18	351-25138-00	12-41	360-14175-00
24-26	341-25872-22	28-21	351-25181-00	12- 9	360-14181-00-33
24-30	341-25881-00	29- 1	351-25831-01	12- 9-1	360-14183-00-33
24-32	341-25885-03	29- 2	351-25832-00	12-10	360-14184-00
23-23	341-26290-51	24-35	351-25873-03	11- 1	360-14411-00
23-24	341-26290-61	24-31	351-25883-01	11- 2	360-14451-90
34-29	341-26397-01	24-27	351-25887-01	11- 9	360-14453-00
27-16	341-28185-00	24-41	351-82531-00	13-13	360-14713-00
27-18	341-28188-00	33-17	351-83550-00	13-14	360-14714-00
23- 4	341-82911-00	14-21	353-13552-01	3-20	360-15191-00
36- 2	341-83312-70	27-11	353-24705-02	3-18	360-15363-00
37- 2	341-83312-70	1- 3	360-11311-00	3- 1	360-15411-01
37- 8	341-83312-70	1- 4	360-11321-00	3- 5	360-15415-01
36- 3	341-83313-70	4- 0-1	360-11400-00	3-16	360-15416-01
36- 9	341-83313-70	4-25	360-11526-00	3- 8	360-15417-00
37- 3	341-83313-70	4-14	360-11610-02	3-10	360-15421-01
37- 8	341-83313-70	4-14	360-11610-12	3- 6	360-15425-01
36- 5	341-83333-70	4-14	360-11610-22	3-11	360-15435-00
36-10	341-83333-70	4-14	360-11610-32	5-16	360-16154-00
37- 5	341-83333-70	4-14	360-11610-42	5- 0-1	360-16301-01
37-11	341-83333-70	4- 0-2	360-11630-00	5- 6	360-16321-00
37- 6	341-83367-00				

# NUMERICAL INDEX

Ref No.	Parts No.	Ref No.	Parts No.	Ref No.	Parts No.
5- 7	360-16325-00	17- 4	360-21782-00	25-29	360-24521-00
5-19	360-16340-00	17- 5	360-21783-20	27- 1	360-24730-06
5- 8	360-16351-00	26-21	360-21783-20	27- 0-1	360-24731-03
5- 4	360-16370-00	18-14	360-22311-00-93	24-25	360-25862-00
6- 8	360-17121-00	21- 0-1	360-23101-A0	24-26	360-25872-03
6-25	360-17211-00	21- 0-1	360-23101-30	24-31	360-25883-40
6-17	360-17221-00	21- 0-1	360-23101-50	23-16	360-26261-01
6-21	360-17231-00	21-32	360-23121-50-F7	23-27	360-26262-00
6- 1	360-17411-00	21-32	360-23121-50-G7	23-15	360-26311-01
6-41	360-17471-00	21-32	360-23121-50-N8	23-17	360-26312-01
7- 9	360-18141-01	21-32	360-23121-50-Y1	23-18	360-26321-00
7- 1	360-18541-00	21-32	360-23121-50-63	23-26	360-26329-02
16- 1	360-21110-01-33	21-13	360-23122-A0	23-19	360-26335-00
16- 1	360-21110-21-33	21-13	360-23122-51	19-14	360-27315-00
16- 1	360-21110-41-33	21-33	360-23131-50-F7	17-18	360-28100-11
16- 1	360-21110-81-33	21-33	360-23131-50-G7	27-15	360-28179-10
21-31	360-21343-A0	21-33	360-23131-50-N8	15- 0-1	360-81600-22
19-39	360-21445-00	21-33	360-23131-50-Y1	15- 2	360-81610-22
19-40	360-21446-00	21-33	360-23131-50-63	15-16	360-81619-20
20- 1	360-21510-80-93	21-21	360-23340-30-33	15-23	360-81625-20
20-12	360-21610-30-93	21-21	360-23340-50-33	15- 3	360-81640-20
16-12	360-21645-00	22- 9	360-23435-00-98	15- 1	360-81650-20
26- 1	360-21705-00-F7	22-18	360-23441-00-98	38- 5	360-82117-01
26- 1	360-21705-00-G7	25- 1	360-24110-12-W2	38- 6	360-82119-00
26- 1	360-21705-00-N8	25- 1	360-24110-12-W4	38- 9	360-82590-43
26- 1	360-21705-00-Y1	25- 1	360-24110-12-W5	23- 0-1	360-82910-00
26- 1	360-21705-00-63	25- 1	360-24110-12-W6	37- 1	360-83310-71-93
17- 6	360-21717-01	25- 2	360-24110-12-X9	36-11	360-83316-00
17- 1	360-21721-00-F7	25- 3	360-24244-30	37-19	360-83316-00
17- 1	360-21721-00-G7	25- 4	360-24245-30	37-13	360-83326-00
17- 1	360-21721-00-N8	25- 4	360-24246-30	37-12	360-83367-00
17- 1	360-21721-00-Y1	25- 5	360-24247-30	38-19	360-83371-40
17- 1	360-21721-00-63	25- 6	360-24248-30	38-19	360-83371-50
17-19	360-21746-00	25- 7	360-24249-30	33- 8	360-83507-01
26- 5	360-21752-00	25- 8	360-24254-30	33- 9	360-83508-00
26- 9	360-21753-00	25- 9	360-24255-30	33- 7	360-83509-40
26- 2	360-21761-00	25-28	360-24500-00	33- 4	360-83513-00
26-20	360-21781-00	25-33	360-24512-00		
		25-31	360-24515-00		

# NUMERICAL INDEX

Ref No.	Parts No.	Ref No.	Parts No.	Ref No.	Parts No.
33- 1	360-83519-81-98	4-13	361-11631-02-98	31- 0-1	413-84303-40
33- 5	360-83523-00	4-13	361-11635-02	31- 0-1	413-84303-45
33- 3	360-83540-02	4-13	361-11636-02	31- 0-1	413-84303-85
33- 3	360-83540-06	4-13	361-11637-02	31- 6	413-84312-40
33-12	360-83547-00	4-13	361-11638-02	31- 3	413-84320-40
33-18	360-83560-00	14- 0-1	361-13101-01	31- 3	413-84320-45
33- 2	360-83570-21	12- 0-1	361-14101-92	31- 3	413-84320-85
33- 2	360-83570-42	12- 0-2	361-14102-92	31- 7	413-84347-85
24-14	360-83922-01	12-20	361-14112-25	34- 7	413-84751-40-35
23- 3	360-83972-02	12-20-1	361-14113-25	30-28	414-25436-20
23- 3	360-83972-21	12-33	361-14124-00	35- 8	437-84525-60
23-11	360-83975-02	12-27	361-14147-00	35-23	437-84527-60
23-11	360-83975-21	12-21	361-14946-00	38-10	447-82508-41
32- 0-1	360-84310-30	5- 0-1	361-16301-01	38-10	447-82508-46
32- 8	360-84312-30	17- 5	361-21783-30	37- 7	447-83330-22-93
31- 1	360-84330-61-F7	26-21	361-21783-30	35-20	449-85131-00
32- 1	360-84330-61-F7	12-29	363-14137-00	35- 4	456-84521-20
31- 1	360-84330-61-G7	12-31	363-14155-00	31- 8	457-84146-85
32- 1	360-84330-61-G7	13-30	363-14198-00	35- 0-1	460-84710-20
31- 1	360-84330-61-N8	36- 1	366-83310-40-93	35- 1	460-84711-20
32- 1	360-84330-61-N8	36- 7	366-83312-40	35-10	479-84551-01-93
31- 1	360-84330-61-Y1	37- 8	366-83312-40	1- 1	521-11111-00
32- 1	360-84330-61-Y1	36- 6	366-83330-40-93	1-10	521-11161-00
31- 1	360-84330-61-63	38-29	366-83350-40	1-11	521-11162-00
32- 1	360-84330-61-63	38-33	371-84708-00	13- 1	521-14710-00
34-30	360-84517-40	12-25	401-14136-00	13- 2	521-14720-00
1- 3	361-11311-00	14-27	402-13146-00	13- 3	521-14753-00
1- 4	361-11321-00	16- 1	413-21110-91-33	6- 5	521-17131-00
4-14	361-11610-02	20-12	413-21610-01-93	6- 2	521-17141-00
4-14	361-11610-12	20-31	413-21621-90	6-10	521-17151-00
4-14	361-11610-22	20-32	413-21622-90	6- 7	521-17161-00
4-14	361-11610-32	20-27	413-21641-00	6-22	521-17241-00
4-14	361-11610-42	25-36	413-24133-90	6-20	521-17261-00
4- 0-2	361-11630-00	30- 2	413-25304-00	6-16	521-17420-00
4- 0-2	361-11630-10	30-28	413-25437-20	20-27	521-21641-00
4- 0-2	361-11630-20	24- 0-1	413-25850-20	25- 1	521-24110-90-01
4- 0-2	361-11630-30	23- 1	413-26111-20	25- 1	521-24110-90-02
4- 0-2	361-11630-40	23-19	413-26335-20	25- 1	521-24110-90-03
4-13	361-11631-02-96	19-24	413-27211-90-33	25- 1	521-24110-90-04

# NUMERICAL INDEX

Ref No.	Parts No.	Ref No.	Parts No.	Ref No.	Parts No.
25- 1	521-24110-90-05	19-18	90170-08158	9- 7	90201-15234
37- 7	521-83330-50-93	30-22	90170-08158	13-22	90201-15239
1- 1	522-11111-00	30-48	90170-08158	20-17	90201-15239
12-35	802-14173-00	18- 8	90170-14147	6- 9	90201-20266
15- 4	802-84131-00	4-24	90170-16080	9-12	90201-20266
16-25	803-82591-00	5-13	90170-18089	6-23	90201-20276
38-18	808-82370-10	30-37	90170-22097	19-45	90201-20279
34-26	848-85131-01	19-10	90171-10012	28-13	90201-25286
29-15	856-20000-50	28-28	90171-14006	6- 3	90201-25490
30-23	90101-08034	30-39	90171-16007	9-19	90201-25490
13-17	90101-10257	18-13	90176-10013	28-15	90201-25490
19- 6	90102-10016	29-22	90176-10013	16-17	90206-04003
16- 2	90105-08033	22-14	90176-16016	6-37	90206-15021
30-30	90105-10007	19-38	90179-06176	9-20	90206-25029
17- 2	90109-06005	1- 8	90179-08026	38-13	90209-05116
34-18	90109-06017	23-21	90179-08148	18-17	90209-06034
35-18	90109-06017	5-24	90179-08179	34-13	90209-06095
29- 3	90109-06018	13-23	90179-10123	35-13	90209-06095
34-18	90109-06366	20-18	90179-10123	37-15	90209-08098
30-46	90109-08184	6-36	90179-18020	22-20	90209-12102
29- 6	90109-08367	22- 8	90179-25033	22-15	90209-17057
30-42	90109-08375	21-25	90185-08054	6- 6	90209-21105
19-17	90109-08376	34-22	90201-06058	6-18	90209-21105
29-19	90109-10041	17-12	90201-06067	4- 8	90209-22071
19-12	90109-10399	20-20	90201-06067	29- 5	90215-06106
22-17	90110-08008	26-12	90201-06067	8-11	90215-08015
33-16	90110-08008	22-11	90201-08083	6-35	90215-21022
5-23	90113-08021	21-26	90201-08089	5-26	90240-06005
1- 6	90116-08064	24-24	90201-10118	19-33	90240-06006
2- 5	90116-08064	24-40	90201-10128	25-15	90249-03087
1- 6	90116-08065	10- 4	90201-10135	25-19	90249-03088
13-10	90116-08166	14- 7	90201-10135	19-37	90249-12008
2- 4	90116-08197	22-22	90201-10139	7-22	90250-08017
23-20	90123-08046	13-20	90201-10140	16-15	90269-04003
24-15	90146-06005	18-12	90201-10140	4-18	90280-04005
5- 9	90149-05057	19- 7	90201-10405	4-22	90282-07006
8- 6	90149-06017	8-17	90201-12183	16-20	90338-04010
7-30	90149-14031	1- 7	90201-12362	23-10	90338-09012
24-16	90170-06010	18-11	90201-14218	16-24	90338-18054
30-44	90170-08157			7-27	90338-22009

# NUMERICAL INDEX

Ref No.	Parts No.	Ref No.	Parts No.	Ref No.	Parts No.
2-12	90340-14010	14-28	90468-02033	2- 8	91101-06090
10-19	90380-14014	27- 6	90468-10050	10-17	91201-06010
10-15	90383-10005	22-25	90468-12006	27-12	91201-06010
22-21	90385-12020	9-17	90468-26045	24-28	91201-06012
18- 4	90386-22029	15-31	90480-01148	27- 3	91201-06012
18-16	90387-07389	27-17	90480-06007	19-27	91201-06025
34-21	90387-07389	11- 5	90480-10091	24-21	91201-06025
17-14	90387-07390	20-25	90480-12013	24-33	91201-06025
20-22	90387-07390	17-13	90480-14102	23- 6	91203-06020
26-14	90387-07390	20-21	90480-14102	34-14	91203-06025
34-12	90387-07390	26-13	90480-14102	35-14	91203-06025
35-12	90387-07390	34-11	90480-14102	20-13	91203-10035
19- 9	90387-10255	35-11	90480-14102	11-18	91316-06025
16-11	90387-12101	13-25	90480-14153	5-27	91401-10010
18- 3	90387-16128	37-14	90480-18128	14-18	91401-12018
18- 5	90387-16226	11- 7	90480-19032	19-47	91401-16012
28-24	90387-17433	14-22	90501-02018	30-45	91401-20015
30-36	90387-23441	7-12	90501-06022	19-11	91401-20025
6-33	90387-25192	7-29	90501-10062	19-35	91401-25012
24-23	90401-10034	19-36	90501-10245	7-23	91401-25020
14-19	90430-04004	24-17	90501-10312	19- 3	91401-30025
26- 4	90430-29114	9- 3	90501-12081	28-22	91401-30030
14-25	90445-05031	5-10	90501-20123	30-40	91401-30030
38- 4	90445-08047	16-19	90502-08005	27- 5	91501-05055
12-43	90445-09056	5-28	90506-10069	19-46	91501-06035
25-26	90445-09086	19-29	90506-20042	2- 3	91810-05016
25-25	90445-09094	19- 4	90506-35058	3- 2	91810-05016
26-17	90445-09122	30-13	90507-20002	3-12	91810-05016
2-16	90446-06008	19-13	90507-25023	25-22	92501-04018
26- 9	90460-26007	25-18	90508-07235	13- 4	92501-06010
26-10	90460-26007	8- 3	90508-08007	38-30	92501-06012
26- 8	90460-30009	9-10	90508-30051	17-11	92501-06020
11-19	90460-43053	8- 9	90508-32055	17- 9	92501-06025
11-10	90460-49058	19- 8	90508-32177	25-32	92501-06025
11- 8	90460-77016	28- 7	90560-17125	26- 6	92501-06025
2-21	90462-05004	30- 8	90560-17140	38-24	92501-06030
2-20	90462-05012	8-14	91101-06020	18-20	92503-06018
25-27	90467-08003	2-10	91101-06045	34- 9	92503-06045
26-18	90467-08003	2- 9	91101-06055	3- 4	92506-06020
14-26	90468-02033				

# NUMERICAL INDEX

Ref No.	Parts No.	Ref No.	Parts No.	Ref No.	Parts No.
3-15	92506-06030	34-24	92901-06100	35-22	92903-05100
3- 3	92506-06035	35-15	92901-06100	33-11	92903-05200
3-17	92506-06035	35-32	92901-06100	20- 4	92903-06100
3-14	92506-06040	35-35	92901-06100	23- 9	92903-06100
3- 7	92506-06060	38-15	92901-06100	20- 6	92903-06200
6-42	92701-06015	38-25	92901-06100	14-16	93101-10001
7-16	92701-06015	38-31	92901-06100	14- 5	93101-10002
11-15	92901-03100	2-11	92901-06200	8-18	93101-12004
12-14	92901-04100	19-34	92901-06200	28-25	93102-28022
15- 6	92901-04100	27-14	92901-06200	30-24	93102-32037
15-11	92901-04100	13-12	92901-08100	6-32	93102-35054
15-15	92901-04100	13-16	92901-08100	4-17	93103-20076
15-21	92901-04100	15-28	92901-08100	4-20	93103-40077
15-25	92901-04100	16- 3	92901-08100	9- 9	93104-20007
33-14	92901-04100	16-14	92901-08100	30-34	93104-25008
15- 5	92901-04200	19-42	92901-08100	28-16	93105-45017
15-12	92901-04200	20- 8	92901-08100	10-13	93210-07100
15-22	92901-04200	22-13	92901-08100	10-11	93210-13016
14-14	92901-05100	30-47	92901-08100	3-19	93210-27194
15-30	92901-05100	36-14	92901-08100	7-33	93210-29147
16-23	92901-05100	37-17	92901-08100	30-25	93210-55051
34-27	92901-05100	38-21	92901-08100	5- 2	93211-15149
38-12	92901-05100	2- 6	92901-08200	12-40	93220-09001
16-22	92901-05200	17- 3	92901-08200	6-14	93305-20502
8- 8	92901-06100	30-43	92901-08200	30-33	93306-20503
13- 5	92901-06100	34-19	92901-08200	4-10	93306-20604
17-10	92901-06100	35-19	92901-08200	28-23	93306-30301
18-19	92901-06100	38-22	92901-08200	30-10	93306-30303
18-21	92901-06100	14- 9	92901-08400	28- 9	93306-30306
19-28	92901-06100	13-18	92901-10100	6-31	93306-30504
20-11	92901-06100	16- 7	92901-10100	4-11	93306-30508
20-30	92901-06100	19-21	92901-10100	4-12	93310-21679
20-36	92901-06100	20-14	92901-10100	4-12	93310-21680
24-22	92901-06100	22-23	92901-10100	6-24	93310-22057
24-29	92901-06100	29-20	92901-10100	4- 7	93310-42231
24-34	92901-06100	13-19	92901-10200	6-12	93311-22005
26- 7	92901-06100	20-15	92901-10200	6-27	93311-42006
27- 4	92901-06100	29-21	92901-10200	7- 8	93315-23612
27-13	92901-06100	21-23	92901-12100	6-40	93410-15005
34-10	92901-06100	28-27	92901-14200		



# NUMERICAL INDEX

Ref No.	Parts No.	Ref No.	Parts No.	Ref No.	Parts No.
6-11	93410-20009	30- 5	94232-18020	19-30	97301-06025
6-26	93410-20009	30- 5	94235-18022	13-15	97301-08015
9-13	93410-20009	28- 6	94327-18008	20- 3	97303-06012
7-10	93410-30012	30- 7	94327-18008	20-35	97303-06012
21- 6	93420-28025	28- 5	94416-18068	20- 5	97303-06015
30-32	93420-52014	30- 6	94418-18026	34-23	97303-06018
25-16	93430-02001	28- 5	94418-18084	30-18	97303-06025
25-20	93430-02001	30- 6	94421-18085	22-10	97303-08055
25-14	93430-06005	30-49	94585-30091	9- 6	97321-08030
8- 4	93430-07012	30-50	94685-30011	12-22	97602-03120
10- 5	93430-08006	1- 9	94701-00045	15-10	98501-04008
14- 6	93430-08006	34-28	95301-05600	15-14	98501-04008
7-26	93430-10016	20-10	95301-06600	15-20	98501-04008
8-16	93430-10016	20-29	95301-06600	15-24	98501-04008
9- 8	93430-10016	29- 4	95301-06600	33-13	98501-04008
10- 7	93430-10016	34-25	95301-06600	15-19	98501-04012
6- 4	93440-25019	19-31	95301-06700	2-18	98501-05010
6-19	93440-25019	2- 7	95301-08600	7-18	98501-05010
9-18	93440-25019	36-13	95301-08600	5-22	98501-05012
6-15	93440-52009	37-18	95301-08600	14-11	98501-05015
4-16	93450-17025	14-10	95301-08700	38-11	98501-05018
22- 3	93501-04011	19-22	95301-10600	18-18	98501-06020
5-12	93505-16006	22-24	95301-10700	12-13	98503-04015
14-23	93505-32002	20-37	95303-06600	3- 9	98506-05020
9- 4	93507-32009	13-11	95303-08600	11-14	98512-03008
2-14	93603-14026	22-12	95303-08800	7-14	98701-05012
10- 3	93603-22028	16- 4	95711-08100	10- 9	98701-05012
14- 3	93603-22028	16- 8	95711-10100	7- 4	98701-05020
7-19	93604-08071	16- 9	95821-08055	7-34	98701-05020
7- 6	93604-14012	16- 6	95821-10060	15- 7	98801-04100
7- 2	93604-22050	16-10	95821-10200	14-15	98801-05200
18- 9	93700-06001	20- 7	97201-08018	8- 7	98801-06100
19-26	93700-06001	38-20	97201-08018	34-16	98801-06100
28- 3	94130-18108	16-13	97201-08020	35-16	98801-06100
28- 3	94130-18168	19-41	97201-08020	35-34	98801-06100
30- 4	94132-18089	35-33	97301-06012	38-16	98801-06200
30- 4	94135-18107	20-28	97301-06016	23- 8	98801-06300
30- 4	94135-18132	20-19	97301-06020	24-19	98801-06300
28- 4	94230-18012	26-11	97301-06020	35-21	98803-05100
				33-10	98803-05700
				35-31	98803-06700
				14-20	98901-04008



**YAMAHA MOTOR CO., LTD.**

PRINTED IN JAPAN

First edition Oct., 1974

(521-28198-E5)