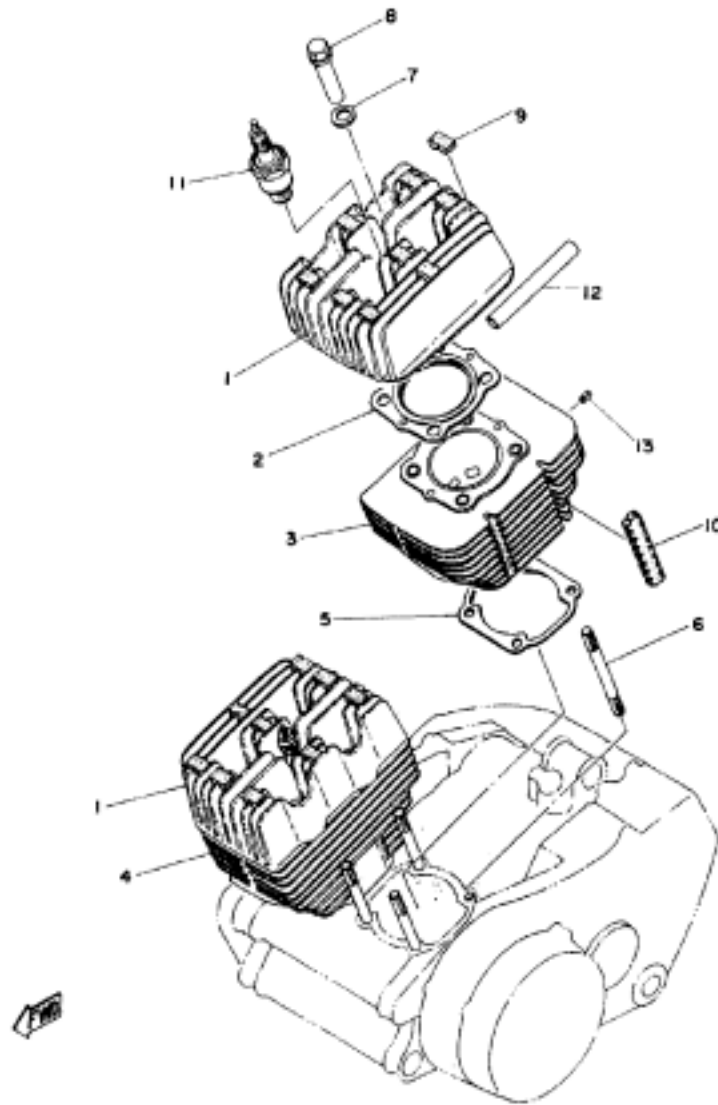


Fig. 1 CYLINDER HEAD - CYLINDER



Ref. No.	Parts No.	Description	Q'ty 250	Q'ty 400	F	H	W	S													Remarks	
					a	o	l	r	e	B	F	D	A	E	I							
					n	a	a	l	g	e	w	n	n	n	n	n	n	n	n	n	n	
					c	n	n	l	t	l	i	a	r	a	r	a	r	a	r	a	r	
					e	y	d	u	e	n	k	y	d	n	a	y						
1-1	1A2-11111-00	HEAD, cylinder	2		x	x	x	x	x		x	x	x									
	1A3-11111-01	HEAD, cylinder		2	x	x	x		x	x	x	x	x	x	x	x	x	x				
1-2	1A2-11181-00	GASKET, cylinder head	2		x	x		x	x		x		x	x								
	1N9-11181-00	GASKET, cylinder head		2			x															
	1A3-11181-00	GASKET, cylinder head		2	x	x	x		x	x	x	x	x	x	x	x	x	x			DICHTUNG ZYLINDERKOPF	
1-3	1A2-11311-00	CYLINDER, left	1		x	x	x	x	x		x		x	x								
	1A3-11311-00	CYLINDER, left		1	x	x	x		x	x	x	x	x	x	x	x	x					
1-4	1A2-11321-00	CYLINDER, right	1		x	x	x	x	x		x		x	x								
	1A3-11321-00	CYLINDER, right		1	x	x	x		x	x	x	x	x	x	x	x	x					
1-5	278-11351-01	GASKET, cylinder	2	2	x	x	x	x	x		x		x	x	x	x	x				DICHTUNG ZYLINDER	
1-6	90116-08065	BOLT, stud (276-11361-00)	8		x	x	x	x	x		x		x	x								
	90116-08232	BOLT, stud		8	x	x	x		x	x	x	x	x	x	x	x	x				STEH-BOLZEN	
1-7	90201-12362	WASHER, plate (278-11175-00)	8	8	x	x	x	x	x		x		x	x	x	x						
1-8	90179-08026	NUT (278-11171-00)	8	8	x	x	x	x	x		x		x	x	x	x						
1-9	521-11161-01	ABSORBER 1	18	18	x	x	x	x	x		x		x	x	x	x						
	521-11161-01	ABSORBER 1	18	24					x													
1-10	1A0-11162-02	ABSORBER 2	4	4	x	x	x	x	x		x		x	x	x	x						
1-11	94701-00045	PLUG, spark (B-8ES)	2	2	x	x	x	x	x		x		x	x	x	x						
	94701-00044	PLUG, spark (B-7ES)		2																		x
1-12	1A3-11161-10	ABSORBER 1		4					x													
1-13	91609-30010	PIN, spring		2	x	x	x		x	x	x	x	x	x	x	x						